

Description

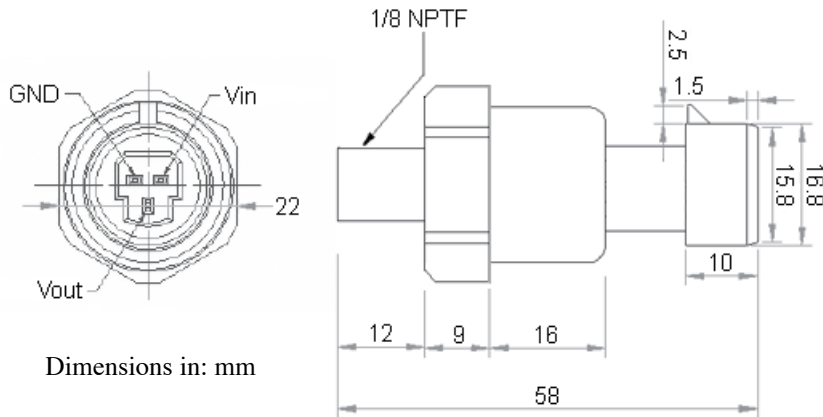
The 1400 series pressure transducers are a reliable, high performance design incorporating MEMS technology for the most demanding measurement applications.

Specifications

Supply voltage.....	5.0 ± 0.5 VDC
Supply current.....	< 10 mA
Output type.....	Ratiometric
Output current.....	Max. Source 1 mA
Output impedance.....	10 ohms max
Output voltage.....	0.5 to 4.5 VDC at 5.0 VDC excitation
Pressure range.....	0 to 150 PSIG
Operating temperature range.....	-40 to +150°C
Response time.....	1 ms
Accuracy (including non-linearity, hysteresis, repeatability, and thermal errors).....	2%FS
Proof pressure.....	300 PSIG
IP rating.....	65
Weight.....	40g

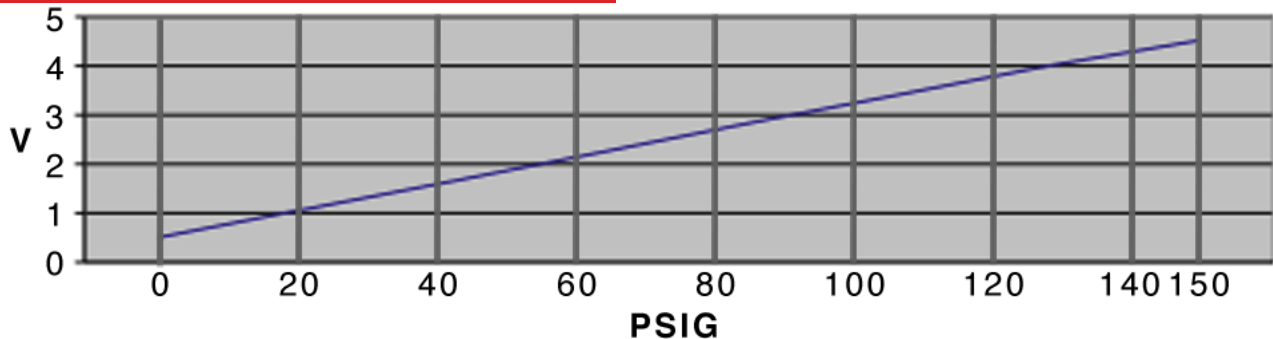


Dimensions



Mates with:
 - Corsas Technic connector P/N: I3AS
 - Delphi Metripack P/N: 12065287

Output Plot



For further information, please contact:

Corsa Technic, LLC
 3770 South Pennsylvania Ave. Unit 6 sales@corsa-technic.com
 St. Francis, WI 53235 www.corsa-technic.com

Specifications are subject to change without prior notice.
 All trademarks used are properties of their respective owners.