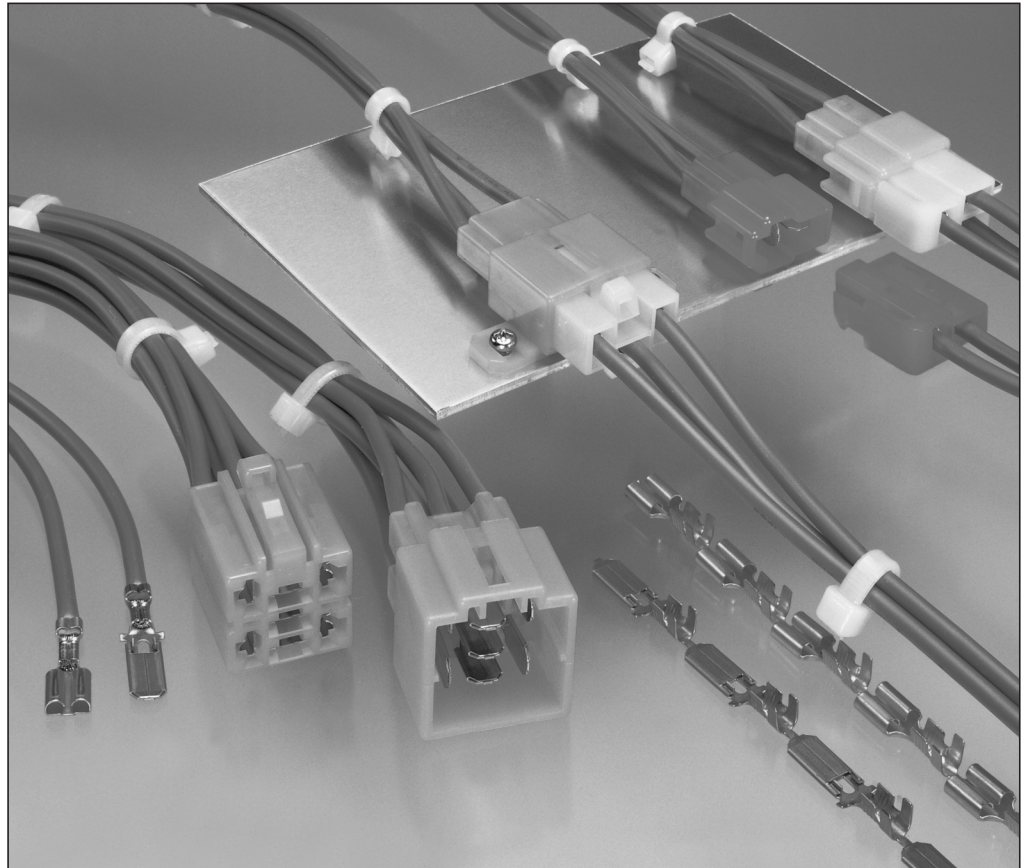


Introduction



**Product Facts**

- **Tabs and receptacles make highly reliable electrical contacts.**
- **The housing lance design needs no lance on a contact. No tangling of contacts makes connector assemblies easier.**
- **The standard type and the interlock type are available. Caps for panel mounting style and freehanging style are available as per mentioned below.**



**Technical Documents**

**Product Specifications:**  
108-5153 (Standard Type)  
108-5169 (Interlock Type)

**Application Specification:**  
114-5052

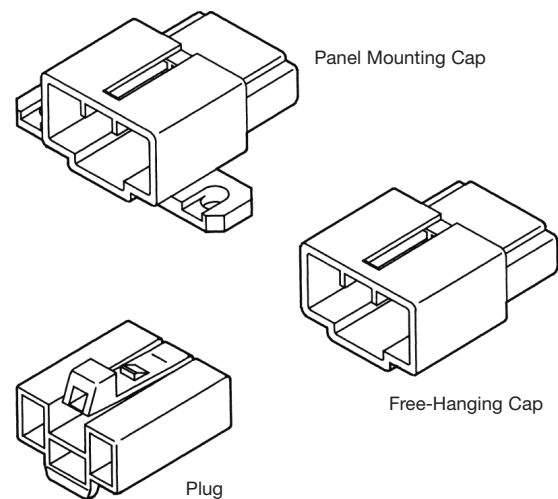
**Instruction Sheet:**  
412-5111

**Available Positions**  
**Standard Type**  
1, 2, 3, 4, 6, 8, 10 Positions  
(The panel mounting style caps are available for 2 and 3 Positions)

**Interlock Type**  
1, 2, 3, 4, 5, 7, 9 Positions  
(The panel mounting style caps are available for 3 Positions)

.250 Housing Lance Connectors are tab and receptacle connectors improved for easier handling with the basis of excellent features of FASTON series which have a long history as proven connectors in the automotive industry.

**Connector Configurations**



Receptacle Contacts

**Technical Features**

**Wire Size Range:**

0.5–3.37 mm<sup>2</sup> (AWG 20–12)

**Insertion Force:**

-1 (Brass): 5.9–39 N  
-2 (Brass/Post Tin) 4.9–44 N

**Extraction Force:**

-1 (Brass): 5.9–39 N  
-2 (Brass/Post Tin) 4.9–44 N

**Material Thickness:**

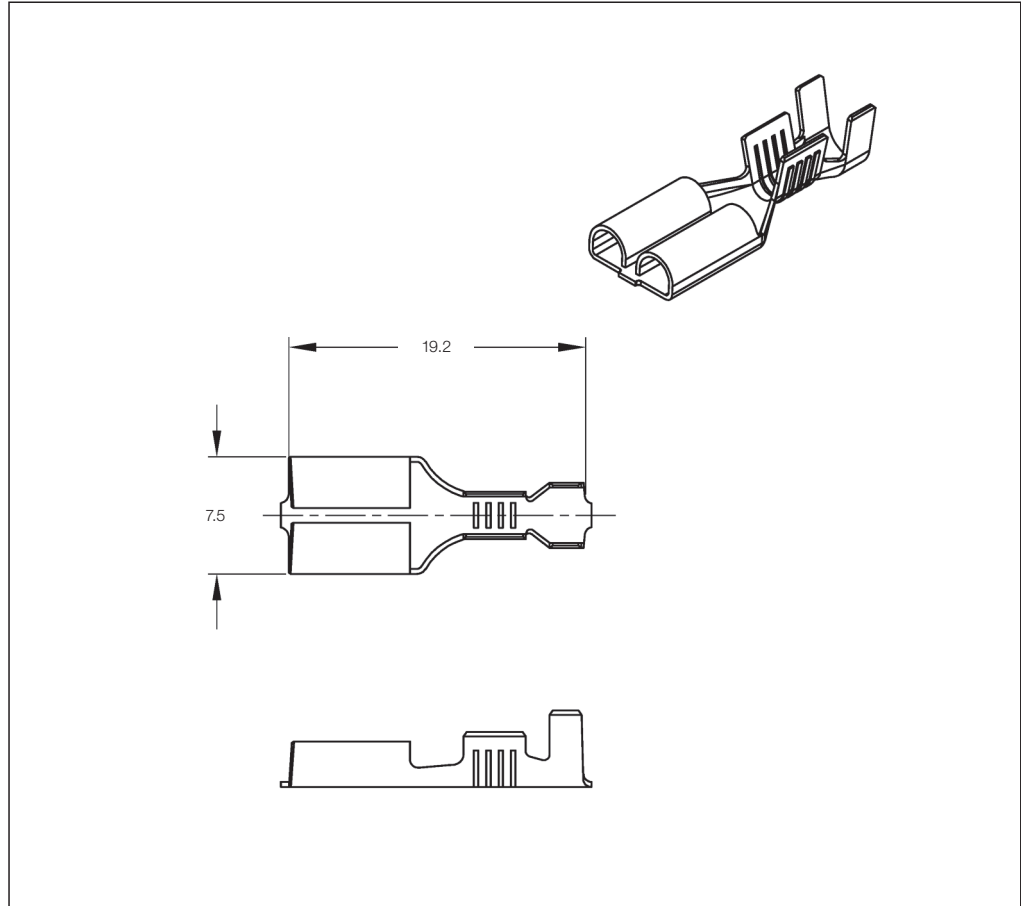
0.32 mm

**Contact Material:**

Brass

**Contact Finish:**

Tin Plating



**Receptacle Contacts (for Plug)**

Wire Size Range		Wire Insulation Diameter (mm)	Material and Finish	Part Numbers			
(mm <sup>2</sup> )	(AWG)			Strip Form	Package Quantity	Applicator	Hand Tool
0.3–0.5	22–20	1.5–2.2	Brass	170384-1	21,000	722788-2	934678-1
			Brass, tin plated	170384-2	21,000		
0.50–2.27	20–14	2.16–3.43	Brass	170032-2	18,000	1385103-2	
			Brass, tin plated	170032-5	18,000		
2.00–3.37	14–12	2.9–3.8	Brass	170258-1	15,000	721306-2	–
			Brass, tin plated	170258-2	15,000		

Tab Contacts

**Technical Features**

**Wire Size Range:**

0.5–3.37 mm<sup>2</sup> (AWG 20–12)

**Insertion Force:**

-1 (Brass): 5.9–39 N  
-2 (Brass/Post Tin) 4.9–44 N

**Extraction Force:**

-1 (Brass): 5.9–39 N  
-2 (Brass/Post Tin) 4.9–44 N

**Material Thickness:**

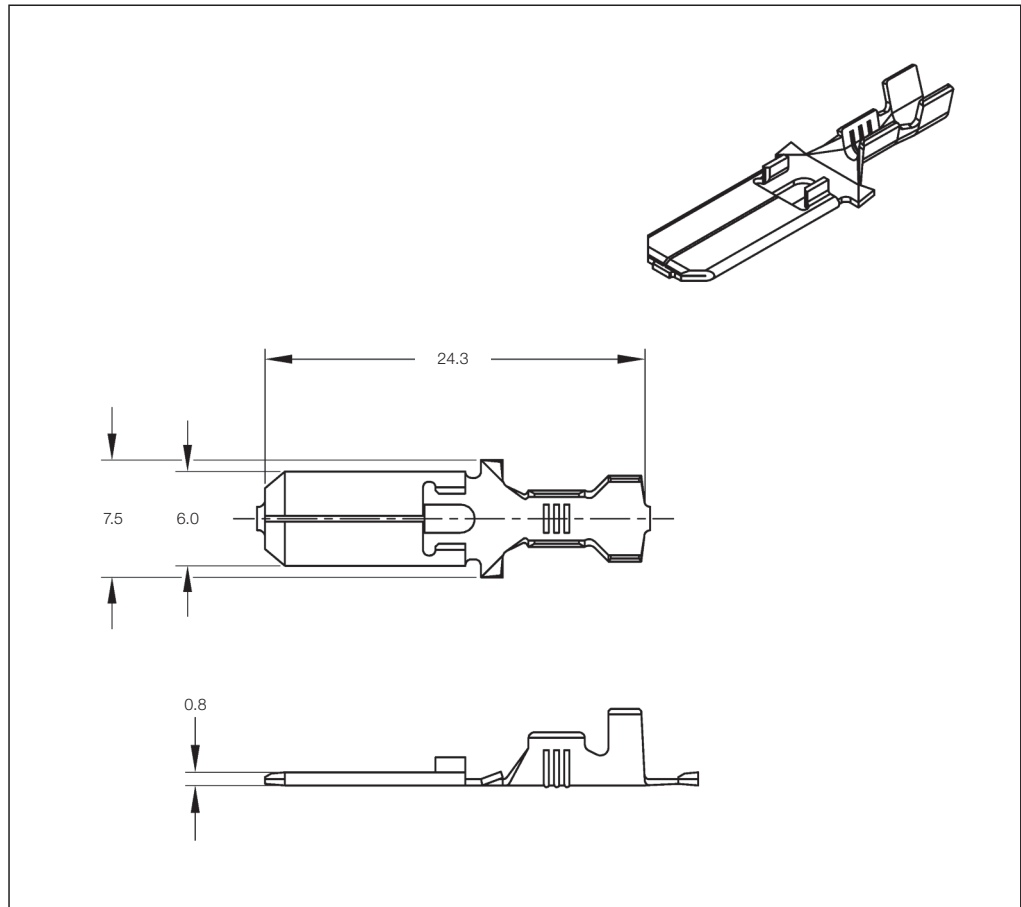
0.406 mm

**Contact Material:**

Brass

**Contact Finish:**

Tin Plating



**Tab Contacts (for Cap)**

Wire Size Range		Wire Insulation Diameter (mm)	Material and Finish	Part Numbers			
(mm <sup>2</sup> )	(AWG)			Strip Form	Package Quantity	Applicator	Hand Tool
0.3–0.5	22–20	1.5–2.2	Brass	170349-1	18,000	722787-2	934611-1
			Brass, pre-tin plated	170349-2	18,000		
0.50–2.27	20–14	2.1–3.4	Brass	170340-1	12,000	722798-2	
			Brass, pre-tin plated	170340-3	12,000		
2.00–3.37	14–12	2.9–3.8	Brass	170341-1	12,000	722799-2	–
			Brass, pre-tin plated	170341-3	12,000		

1 Position Receptacle (Plug) Housing – Standard Type

**Technical Features**

**No. of Positions:**

1 Position

**Housing Material:**

6/6 Nylon

**Wire Size Range:**

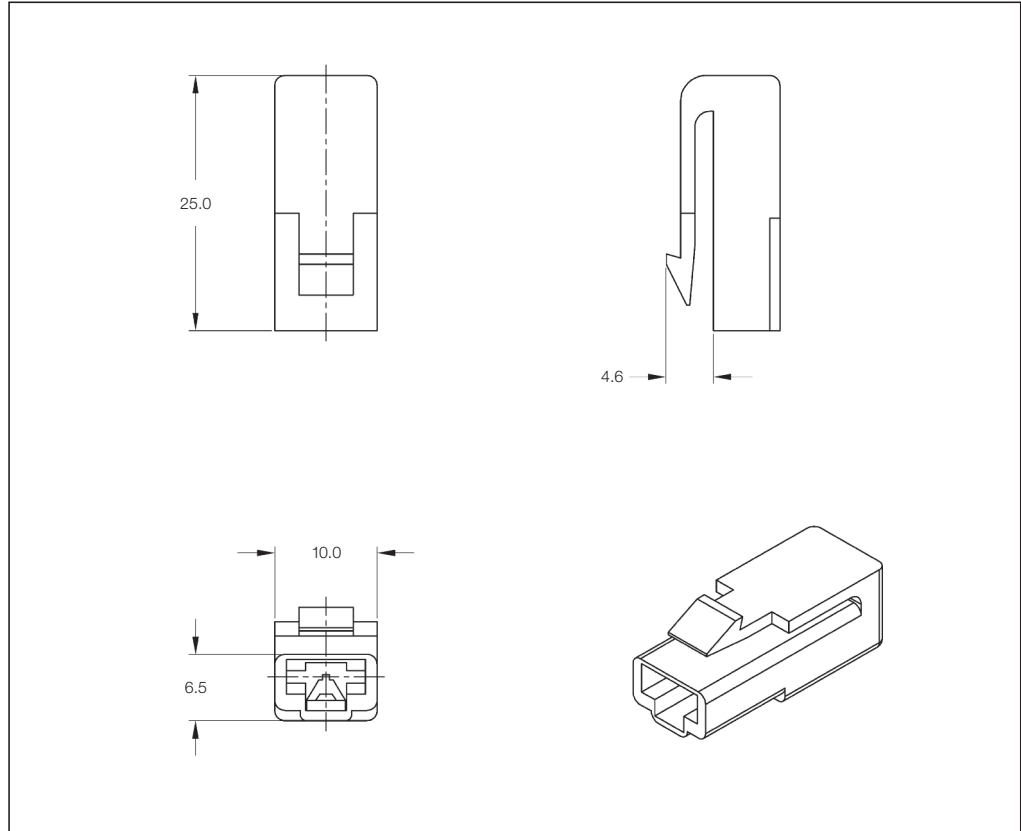
0.3–3.37 mm<sup>2</sup> (AWG 22–12)

**Product Specification:**

108-5153

**Application Specification:**

114-5052



**1 Position Receptacle (Plug) Housing**

No. of Positions	Housing Color	Part Numbers			
		Receptacle (Plug) Housing	Package Quantity	Mating Tab (Cap) Housing	Applicable Contacts
1	Natural	172128-1	8,000	172127-1	170384-1, 170384-2 170032-2, 170032-5 170258-1, 170258-2
	Black	172128-2		172127-2	
	Blue	–		172127-5	
	Yellow	172128-7		–	
	Natural	1-172128-1*		1-172127-1	

\*) UL 94 V-0 rated.

2 Position Receptacle (Plug) Housing – Standard Type

**Technical Features**

**No. of Positions:**

2 Positions

**Housing Material:**

6/6 Nylon

**Wire Size Range:**

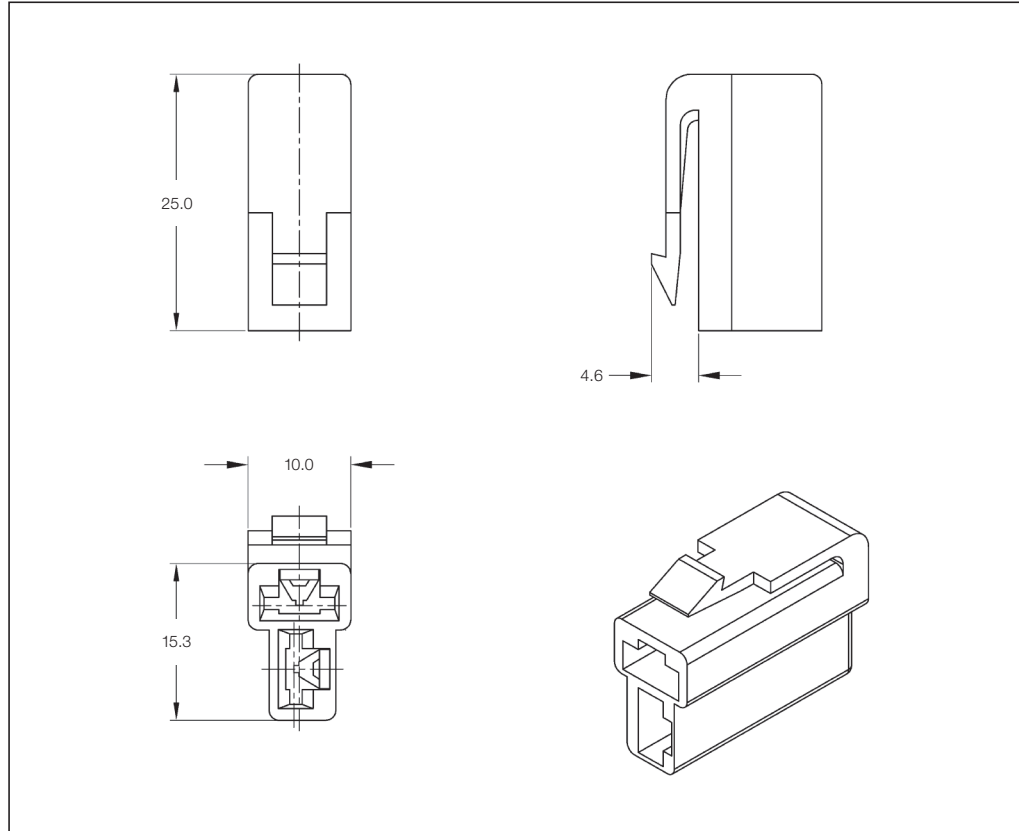
0.3–3.37 mm<sup>2</sup> (AWG 22–12)

**Product Specification:**

108-5153

**Application Specification:**

114-5052



**2 Position Receptacle (Plug) Housing**

No. of Positions	Housing Color	Part Numbers			
		Receptacle (Plug) Housing	Package Quantity	Mating Tab (Cap) Housing	Applicable Contacts
2	Natural	172130-1	5,000	172129-1	170384-1, 170384-2 170032-2, 170032-5 170258-1, 170258-2
	Black	172130-2		172129-2	
	Brown	–		172129-3	
	Green	172130-4		172129-4	
	Blue	172130-5		172129-5	
	Gray	172130-6		–	
	Yellow	172130-7		–	
	Orange	172130-8		172129-8	
	Red	–		172129-9	
	Natural	1-172130-1*		1-172129-1*	
	Light Gray	6-172130-6		6-172129-6	

\*) UL 94 V-0 rated.

2 Position Receptacle (Plug) Housing – Panel Mount

**Technical Features**

**No. of Positions:**

2 Positions

**Housing Material:**

6/6 Nylon

**Wire Size Range:**

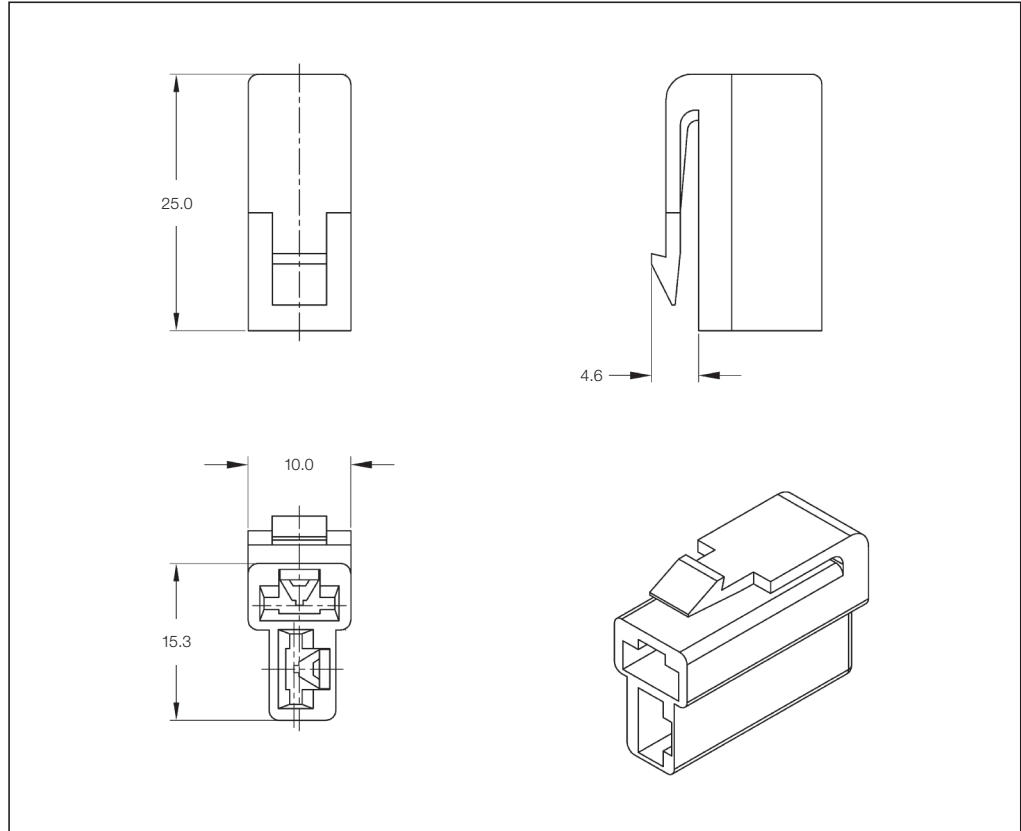
0.3–3.37 mm<sup>2</sup> (AWG 22–12)

**Product Specification:**

108-5153

**Application Specification:**

114-5052



2 Position Receptacle (Plug) Housing for Panel Mount

No. of Positions	Housing Color	Part Numbers			
		Receptacle (Plug) Housing	Package Quantity	Mating Tab (Cap) Housing	Applicable Contacts
2	Natural	172130-1	5,000	172383-1	170384-1, 170384-2 170032-2, 170032-5 170258-1, 170258-2
	Black	172130-2		172383-2	
	Brown	–		172383-3	
	Green	172130-4		–	
	Blue	172130-5		172383-5	
	Gray	172130-6		172383-6	
	Yellow	172130-7		172383-7	
	Orange	172130-8		172383-8	
	Red	–		172383-9	
	Natural	1-172130-1*		–	
	Light Gray	6-172130-6		6-172383-6	

\*) UL 94 V-0 rated.

3 Position Receptacle (Plug) Housing – Standard Type

**Technical Features**

**No. of Positions:**

3 Positions

**Housing Material:**

6/6 Nylon

**Wire Size Range:**

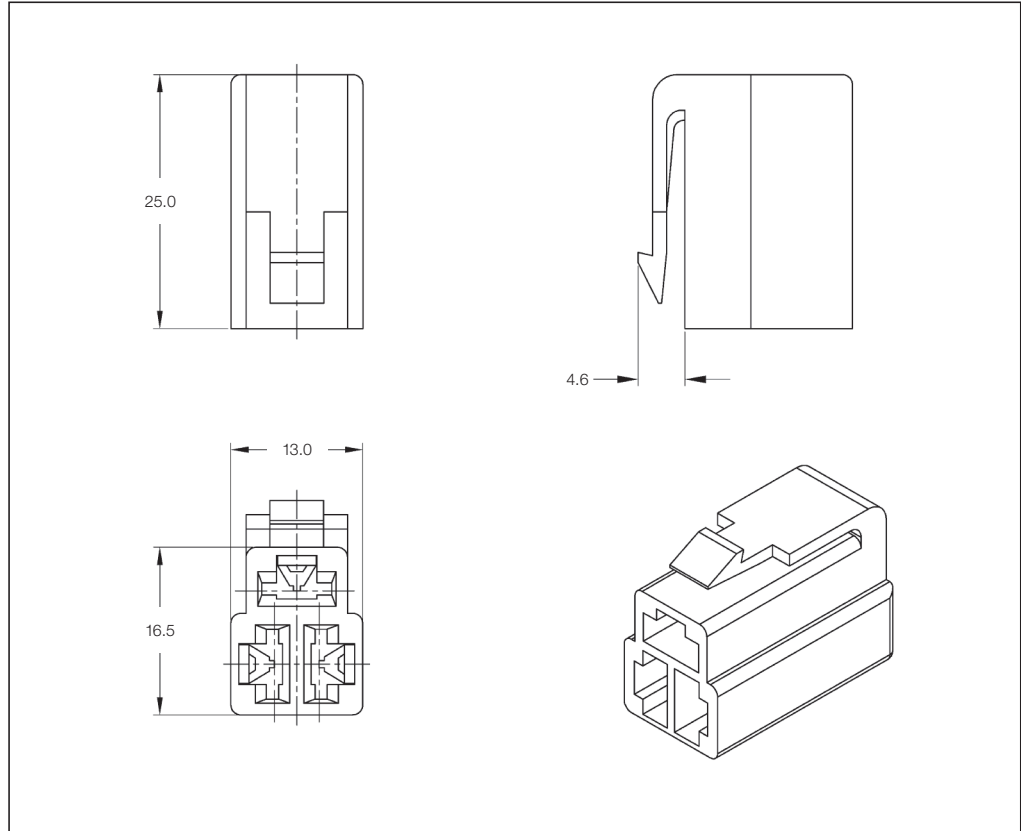
0.3–3.37 mm<sup>2</sup> (AWG 22–12)

**Product Specification:**

108-5153

**Application Specification:**

114-5052



**3 Position Receptacle (Plug) Housing**

No. of Positions	Housing Color	Part Numbers			
		Receptacle (Plug) Housing	Package Quantity	Mating Tab (Cap) Housing	Applicable Contacts
3	Natural	172132-1	3,500	172131-1	170384-1, 170384-2 170032-2, 170032-5 170258-1, 170258-2
	Black	172132-2		172131-2	
	Green	172132-4		–	
	Blue	172132-5		172131-5	
	Gray	–		172131-6	
	Natural	1-172132-1*		1-172131-1*	

\*) UL 94 V-0 rated.

3 Position Receptacle (Plug) Housing – Panel Mount

**Technical Features**

**No. of Positions:**

3 Positions

**Housing Material:**

6/6 Nylon

**Wire Size Range:**

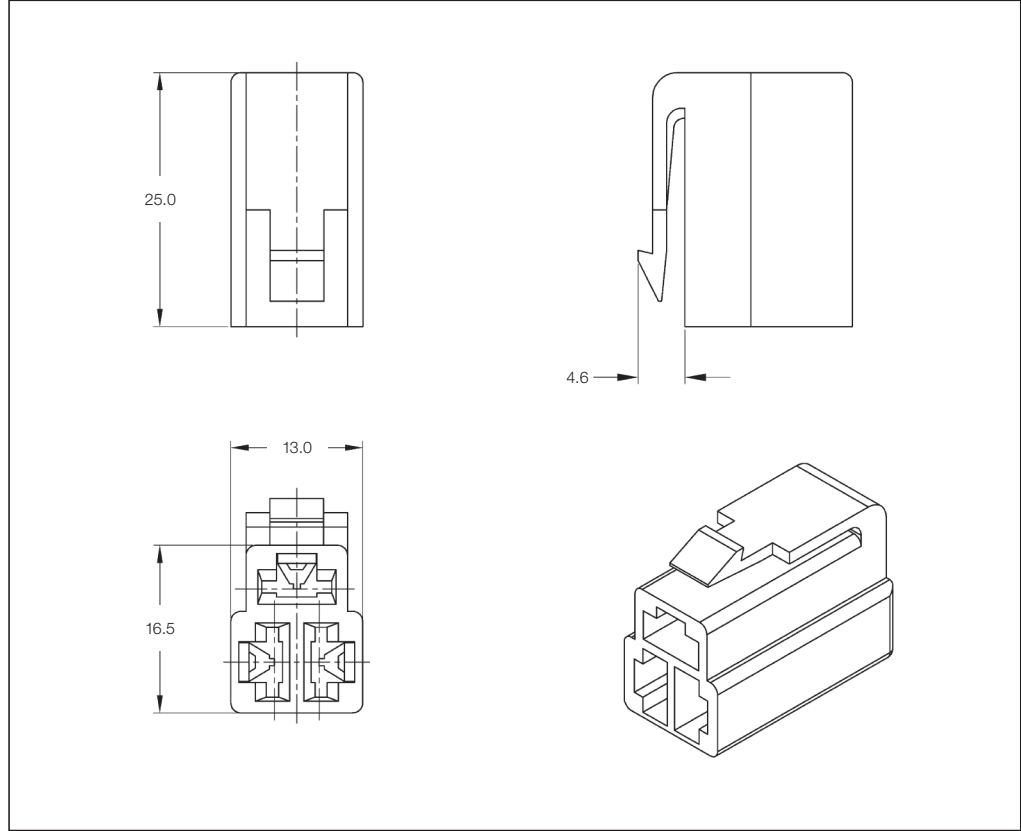
0.3–3.37 mm<sup>2</sup> (AWG 22–12)

**Product Specification:**

108-5153

**Application Specification:**

114-5052



3 Position Receptacle (Plug) Housing for Panel Mount

No. of Positions	Housing Color	Part Numbers			
		Receptacle (Plug) Housing	Package Quantity	Mating Tab (Cap) Housing	Applicable Contacts
3	Natural	172132-1	3,500	172384-1	170384-1, 170384-2 170032-2, 170032-5 170258-1, 170258-2
	Black	172132-2		172384-2	
	Brown	–		172384-3	
	Green	172132-4		–	
	Blue	172132-5		–	
	Natural	1-172132-1		–	
	Light Gray	–		6-172384-6	



4 Position Receptacle (Plug) Housing – Standard Type

**Technical Features**

**No. of Positions:**

4 Positions

**Housing Material:**

6/6 Nylon

**Wire Size Range:**

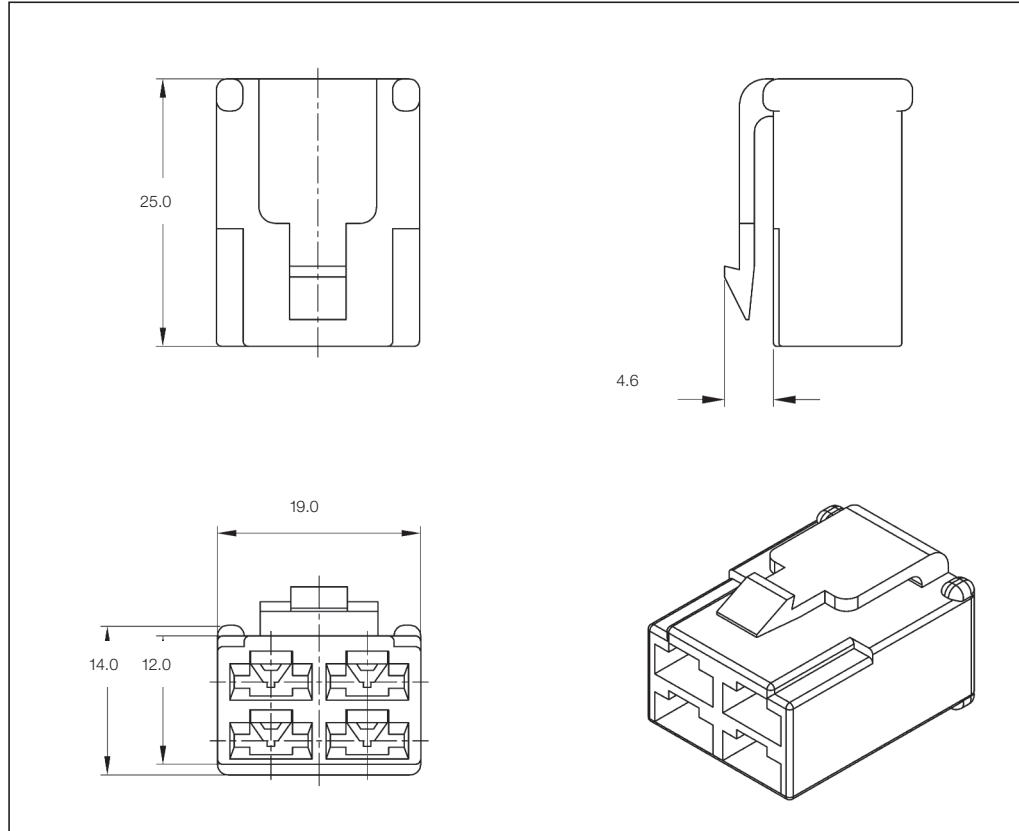
0.3–3.37 mm<sup>2</sup> (AWG 22–12)

**Product Specification:**

108-5153

**Application Specification:**

114-5052



**4 Position Receptacle (Plug) Housing**

No. of Positions	Housing Color	Part Numbers			
		Receptacle (Plug) Housing	Package Quantity	Mating Tab (Cap) Housing	Applicable Contacts
4	Natural	172134-1	3,000	172133-1	170384-1, 170384-2 170032-2, 170032-5 170258-1, 170258-2
	Black	172134-2		172133-2	
	Brown	172134-3		–	
	Green	172134-4		172133-4	
	Blue	172134-5		172133-5	
	Gray	172134-6		–	
	Yellow	172134-7		172133-7	
	Red	172134-9		172133-9	

6 Position Receptacle (Plug) Housing – Standard Type

**Technical Features**

**No. of Positions:**

6 Positions

**Housing Material:**

6/6 Nylon

**Wire Size Range:**

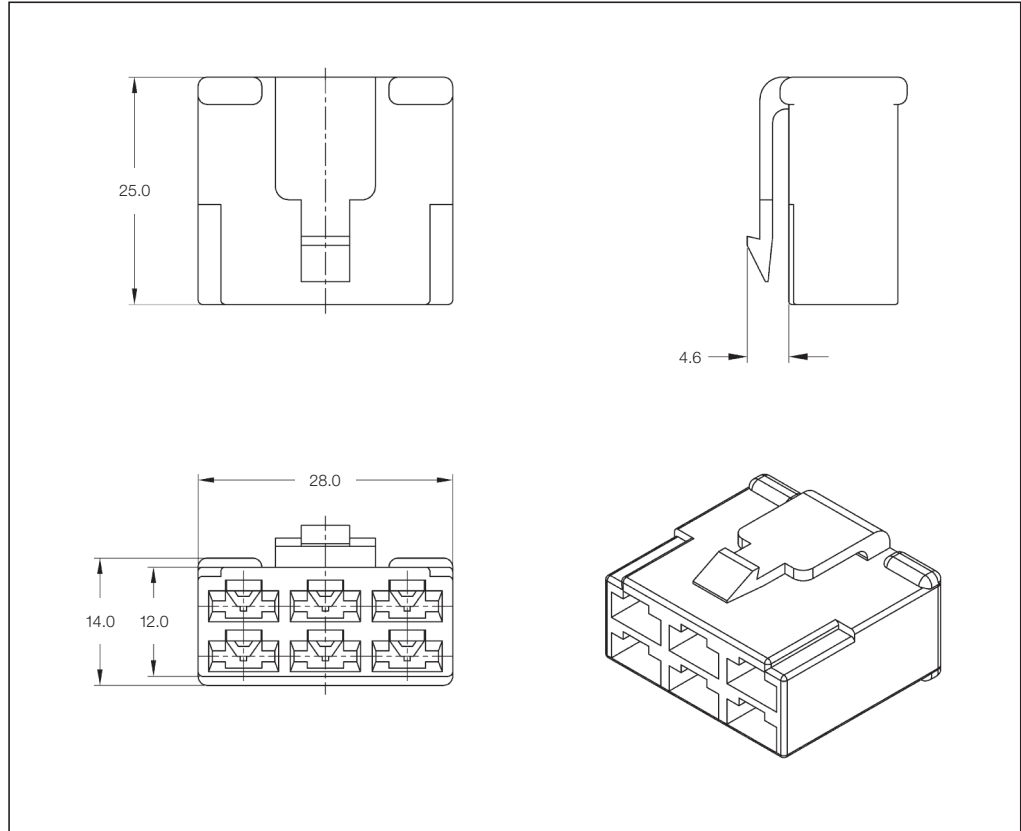
0.3–3.37 mm<sup>2</sup> (AWG 22–12)

**Product Specification:**

108-5153

**Application Specification:**

114-5052



**6 Position Receptacle (Plug) Housing**

No. of Positions	Housing Color	Part Numbers			
		Receptacle (Plug) Housing	Package Quantity	Mating Tab (Cap) Housing	Applicable Contacts
6	Natural	171898-1	2,000	171897-1	170384-1, 170384-2 170032-2, 170032-5 170258-1, 170258-2
	Black	171898-2		171897-2	
	Green	171898-4		171897-4	
	Gray	–		171897-6	
	Yellow	171898-7		171897-7	
	Red	171898-9		171897-9	

8 Position Receptacle (Plug) Housing – Standard Type

**Technical Features**

**No. of Positions:**

8 Positions

**Housing Material:**

6/6 Nylon

**Wire Size Range:**

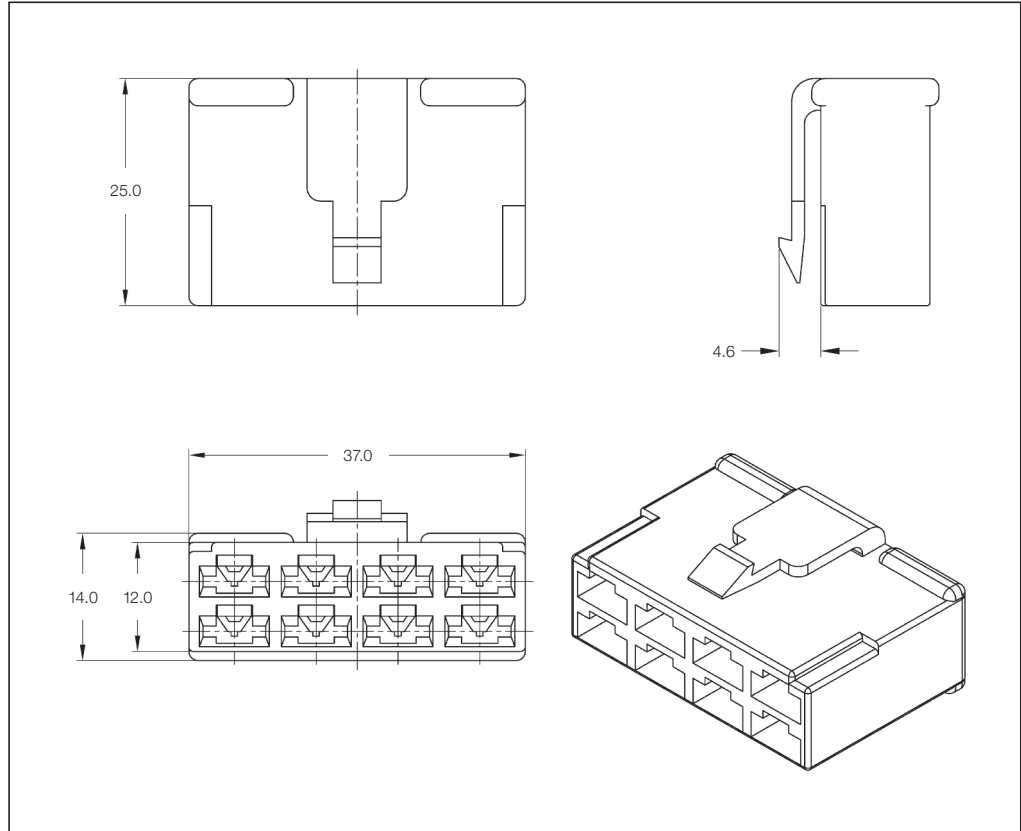
0.3–3.37 mm<sup>2</sup> (AWG 22–12)

**Product Specification:**

108-5153

**Application Specification:**

114-5052



**8 Position Receptacle (Plug) Housing**

No. of Positions	Housing Color	Part Numbers			
		Receptacle (Plug) Housing	Package Quantity	Mating Tab (Cap) Housing	Applicable Contacts
8	Natural	172136-1	1,500	172135-1	170384-1, 170384-2
	Black	172136-2		172135-2	170032-2, 170032-5
	Blue	–		172135-5	170258-1, 170258-2

10 Position Receptacle (Plug) Housing – Standard Type

**Technical Features**

**No. of Positions:**

10 Positions

**Housing Material:**

6/6 Nylon

**Wire Size Range:**

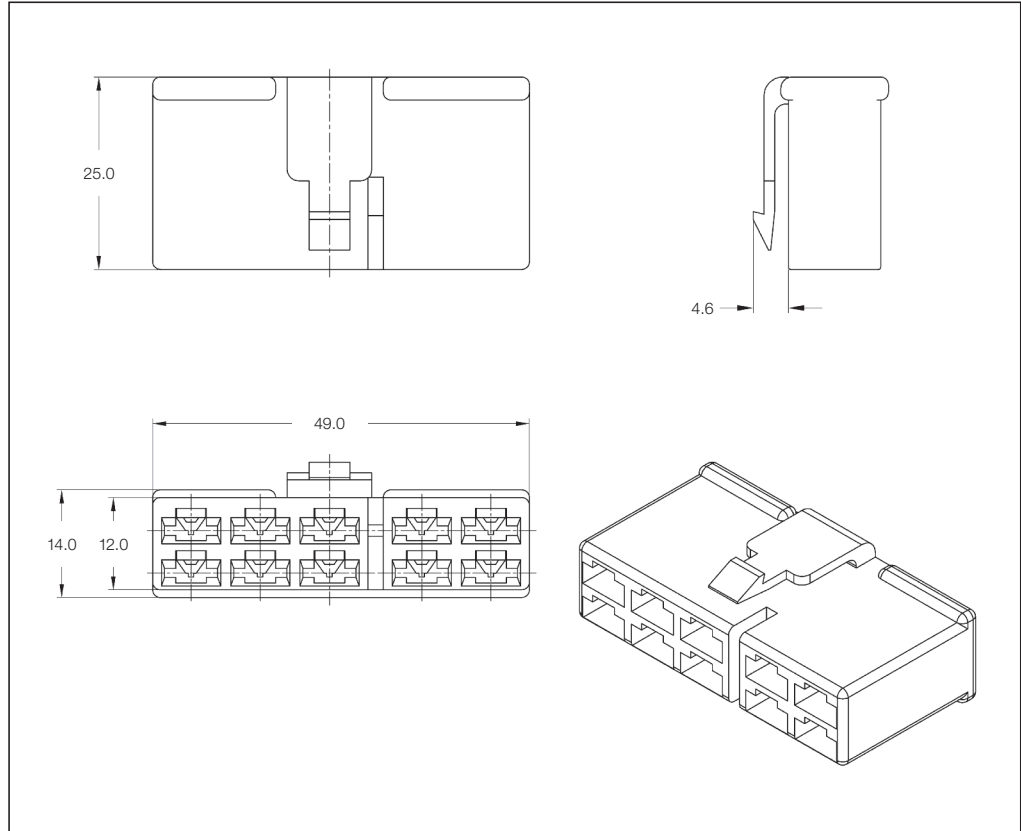
0.3–3.37 mm<sup>2</sup> (AWG 22–12)

**Product Specification:**

108-5153

**Application Specification:**

114-5052



**10 Position Receptacle (Plug) Housing**

No. of Positions	Housing Color	Part Numbers			
		Receptacle (Plug) Housing	Package Quantity	Mating Tab (Cap) Housing	Applicable Contacts
10	Natural	172138-1	1,500	172137-1	170384-1, 170384-2
	Black	172138-2			170032-2, 170032-5
					170258-1, 170258-2

1 Position Tab (Cap) Housing – Standard Type

**Technical Features**

**No. of Positions:**

1 Position

**Housing Material:**

6/6 Nylon

**Wire Size Range:**

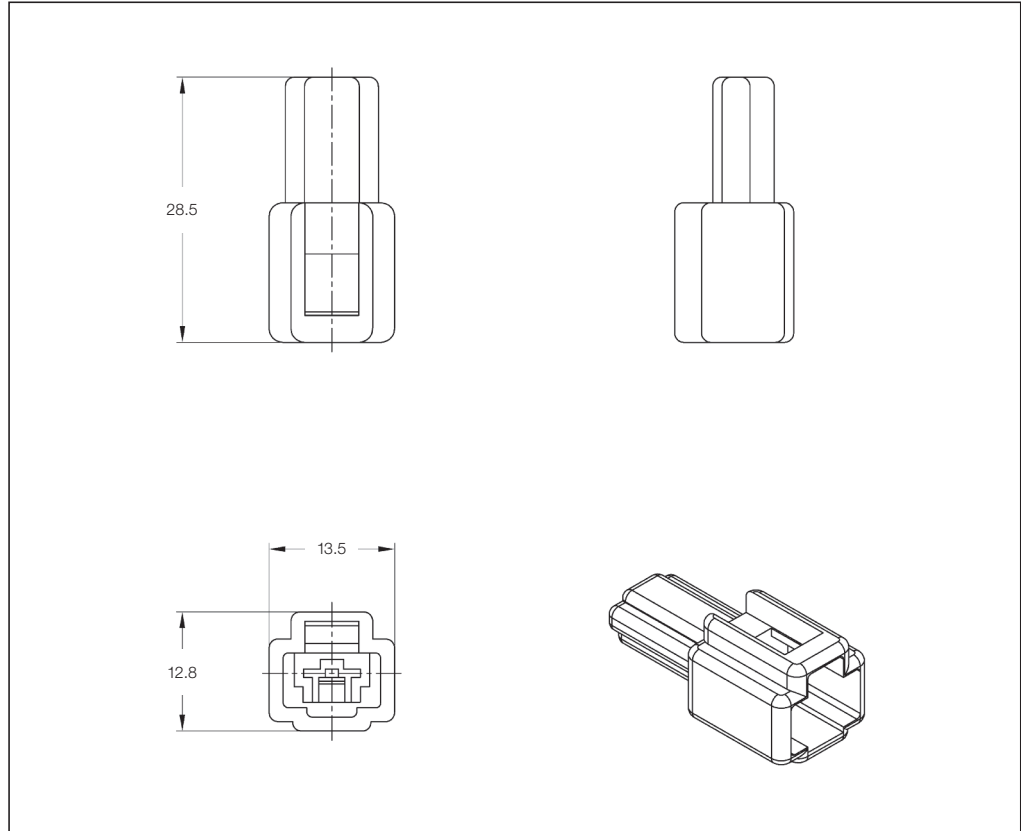
0.3–3.37 mm<sup>2</sup> (AWG 22–12)

**Product Specification:**

108-5153

**Application Specification:**

114-5052



**1 Position Tab (Cap) Housing**

No. of Positions	Housing Color	Part Numbers			
		Tab (Cap) Housing	Package Quantity	Mating Receptacle (Plug) Housing	Applicable Contacts
1	Natural	172127-1	6,000	172128-1	170349-1, 170349-2 170340-1, 170340-3 170341-1, 170341-3
	Black	172127-2		172128-2	
	Blue	172127-5		–	
	Yellow	–		172128-7	
	Natural	1-172127-1*		1-172128-1*	

\*) UL 94 V-0 rated.

2 Position Tab (Cap) Housing – Standard Type

**Technical Features**

**No. of Positions:**

2 Positions

**Housing Material:**

6/6 Nylon

**Wire Size Range:**

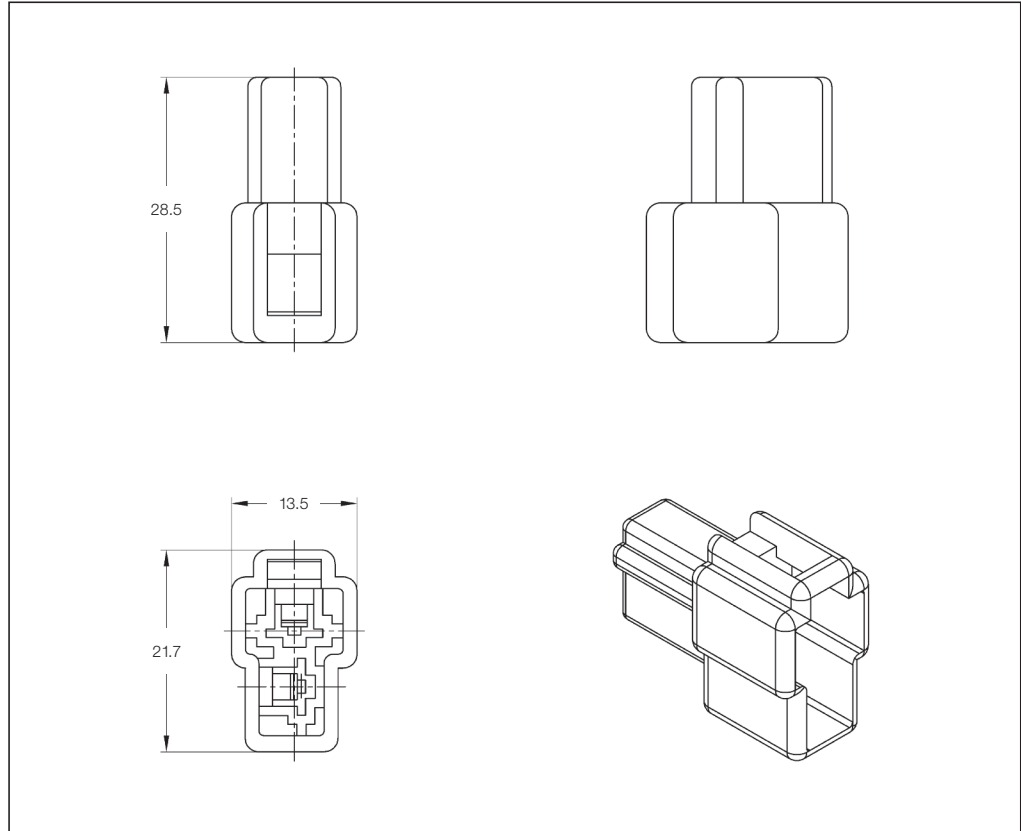
0.3–3.37 mm<sup>2</sup> (AWG 22–12)

**Product Specification:**

108-5153

**Application Specification:**

114-5052



**2 Position Tab (Cap) Housing**

No. of Positions	Housing Color	Part Numbers			
		Tab (Cap) Housing	Package Quantity	Mating Receptacle (Plug) Housing	Applicable Contacts
2	Natural	172129-1	5,000	172130-1	170349-1, 170349-2 170340-1, 170340-3 170341-1, 170341-3
	Black	172129-2		172130-2	
	Brown	172129-3		–	
	Green	172129-4		172130-4	
	Blue	172129-5		172130-5	
	Gray	–		172130-6	
	Yellow	–		172130-7	
	Orange	172129-8		172130-8	
	Red	172129-9		–	
	Natural	1-172129-1*		1-172130-1*	
	Light Gray	6-172129-6		6-172130-6	

\*) UL 94 V-0 rated.

2 Position Tab (Cap) Housing – Panel Mount

**Technical Features**

**No. of Positions:**

2 Positions

**Housing Material:**

6/6 Nylon

**Wire Size Range:**

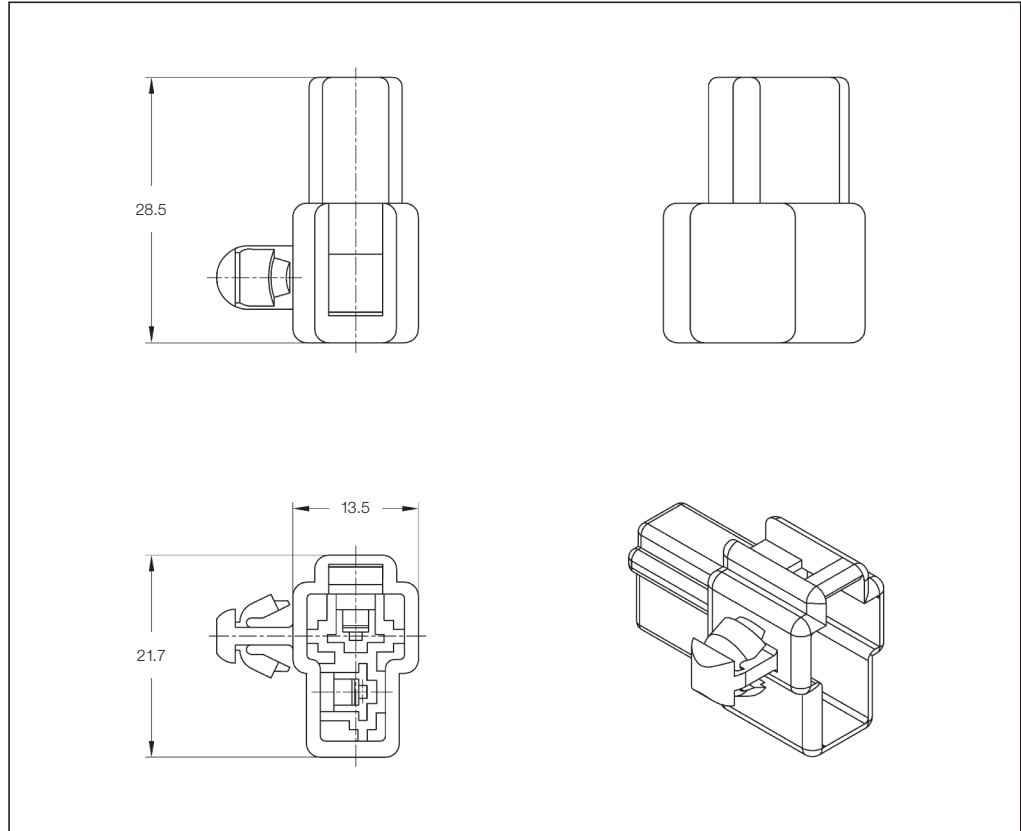
0.3–3.37 mm<sup>2</sup> (AWG 22–12)

**Product Specification:**

108-5153

**Application Specification:**

114-5052



**2 Position Tab (Cap) Housing for Panel Mount**

No. of Positions	Housing Color	Part Numbers			
		Tab (Cap) Housing	Package Quantity	Mating Receptacle (Plug) Housing	Applicable Contacts
2	Natural	172383-1	3,500	172130-1	170349-1, 170349-2 170340-1, 170340-3 170341-1, 170341-3
	Black	172383-2		172130-2	
	Brown	172383-3		–	
	Green	–		172130-4	
	Blue	172383-5		172130-5	
	Gray	172383-6		172130-6	
	Yellow	–		172130-7	
	Orange	–		172130-8	
	Red	172383-9		–	
	Light Gray	6-172383-6		6-172130-6	

3 Position Tab (Cap) Housing – Standard Type

**Technical Features**

**No. of Positions:**

3 Positions

**Housing Material:**

6/6 Nylon

**Wire Size Range:**

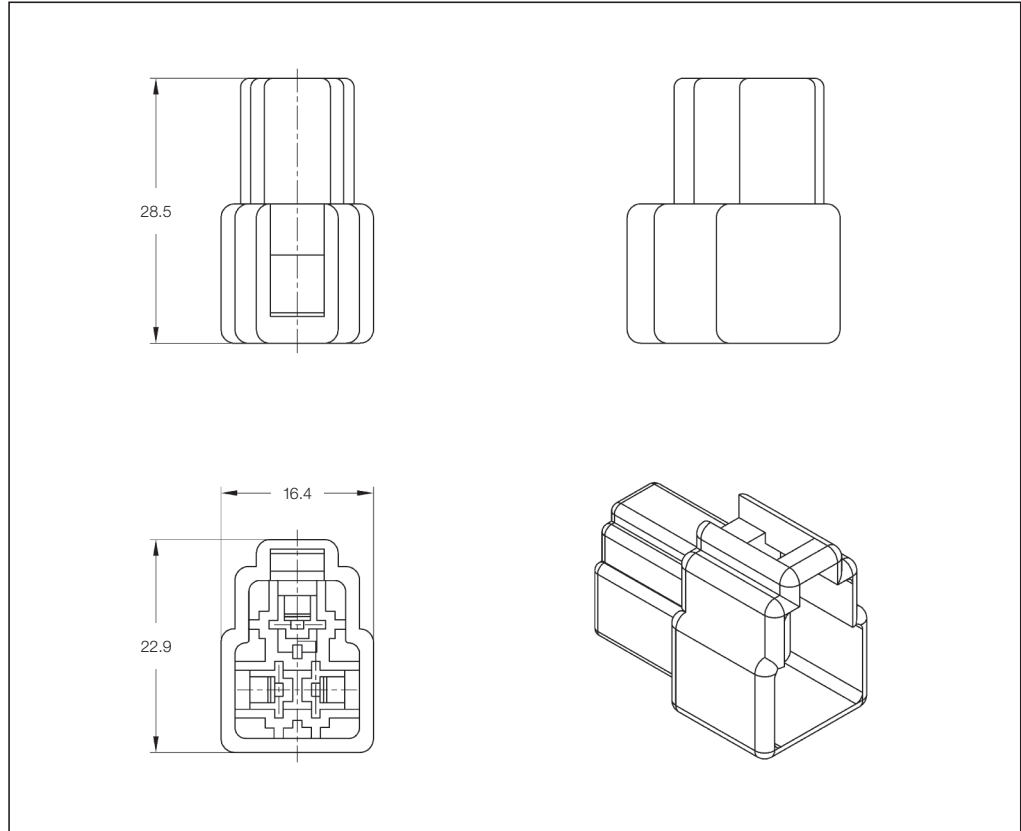
0.3–3.37 mm<sup>2</sup> (AWG 22–12)

**Product Specification:**

108-5153

**Application Specification:**

114-5052



**3 Position Tab (Cap) Housing**

No. of Positions	Housing Color	Part Numbers			
		Tab (Cap) Housing	Package Quantity	Mating Receptacle (Plug) Housing	Applicable Contacts
3	Natural	172131-1	3,000	172132-1	170349-1, 170349-2 170340-1, 170340-3 170341-1, 170341-3
	Black	172131-2		172132-2	
	Green	-		172132-4	
	Blue	172131-5		172132-5	
	Gray	172131-6		-	
	Natural	1-172131-1*		1-172132-1*	

\*) UL 94 V-0 rated.



3 Position Tab (Cap) Housing – Panel Mount

**Technical Features**

**No. of Positions:**

3 Positions

**Housing Material:**

6/6 Nylon

**Wire Size Range:**

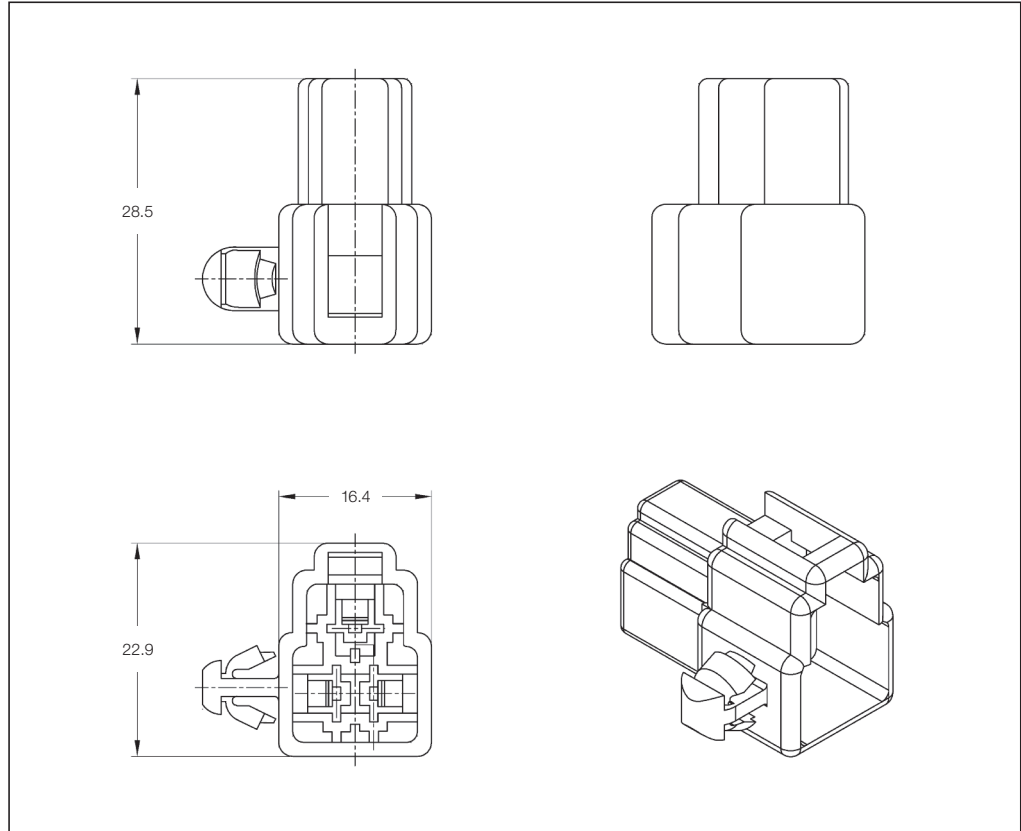
0.3–3.37 mm<sup>2</sup> (AWG 22–12)

**Product Specification:**

108-5153

**Application Specification:**

114-5052



**3 Position Tab (Cap) Housing for Panel Mount**

No. of Positions	Housing Color	Part Numbers			
		Tab (Cap) Housing	Package Quantity	Mating Receptacle (Plug) Housing	Applicable Contacts
3	Natural	172384-1	2,500	172132-1	170349-1, 170349-2 170340-1, 170340-3 170341-1, 170341-3
	Black	172384-2		172132-2	
	Brown	172384-3		172132-3	
	Green	–		172132-4	
	Blue	–		172132-5	
	Gray	–		172132-6	
	Orange	–		172132-8	
	Red	–		172132-9	
	Natural	–		1-172132-1*	
	Light Gray	6-172384-6		–	

\*) UL 94 V-0 rated.

4 Position Tab (Cap) Housing – Standard Type

**Technical Features**

**No. of Positions:**

4 Positions

**Housing Material:**

6/6 Nylon

**Wire Size Range:**

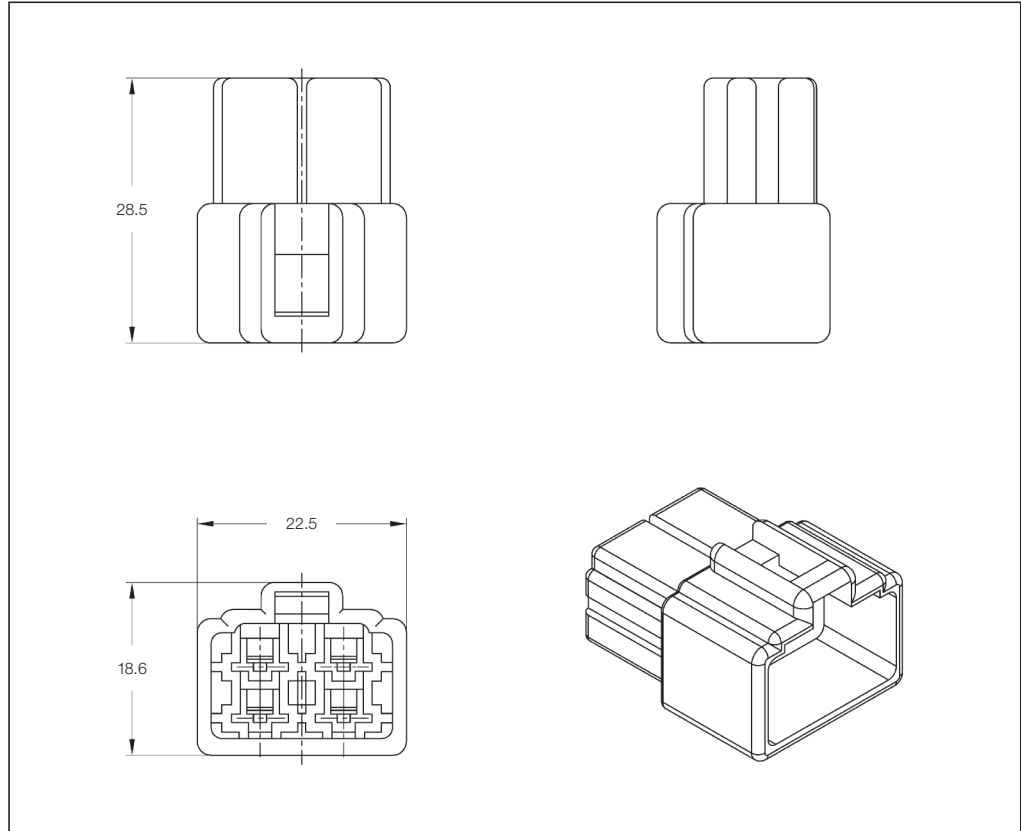
0.3–3.37 mm<sup>2</sup> (AWG 22–12)

**Product Specification:**

108-5153

**Application Specification:**

114-5052



**4 Position Tab (Cap) Housing**

No. of Positions	Housing Color	Part Numbers			
		Tab (Cap) Housing	Package Quantity	Mating Receptacle (Plug) Housing	Applicable Contacts
4	Natural	172133-1	2,500	172134-1	170349-1, 170349-2 170340-1, 170340-3 170341-1, 170341-3
	Black	172133-2		172134-2	
	Brown	–		172134-3	
	Green	172133-4		172134-4	
	Blue	172133-5		172134-5	
	Gray	–		172134-6	
	Yellow	172133-7		172134-7	
	Red	172133-9		172134-9	

6 Position Tab (Cap) Housing – Standard Type

**Technical Features**

**No. of Positions:**

6 Positions

**Housing Material:**

6/6 Nylon

**Wire Size Range:**

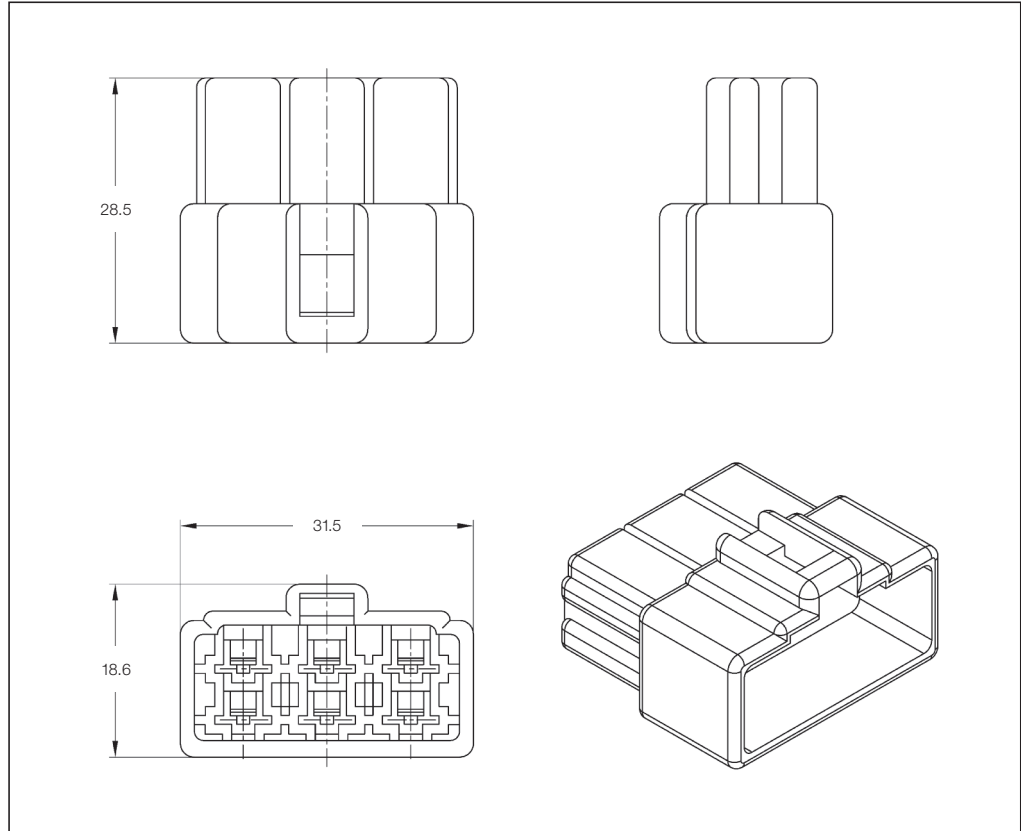
0.3–3.37 mm<sup>2</sup> (AWG 22–12)

**Product Specification:**

108-5153

**Application Specification:**

114-5052



**6 Position Tab (Cap) Housing**

No. of Positions	Housing Color	Part Numbers			
		Tab (Cap) Housing	Package Quantity	Mating Receptacle (Plug) Housing	Applicable Contacts
6	Natural	171897-1	1,500	171898-1	170349-1, 170349-2 170340-1, 170340-3 170341-1, 170341-3
	Black	171897-2		171897-2	
	Green	171897-4		171898-4	
	Gray	171897-6		–	
	Yellow	171897-7		171898-7	
	Red	171897-9		171898-9	

8 Position Tab (Cap) Housing – Standard Type

**Technical Features**

**No. of Positions:**

8 Positions

**Housing Material:**

6/6 Nylon

**Wire Size Range:**

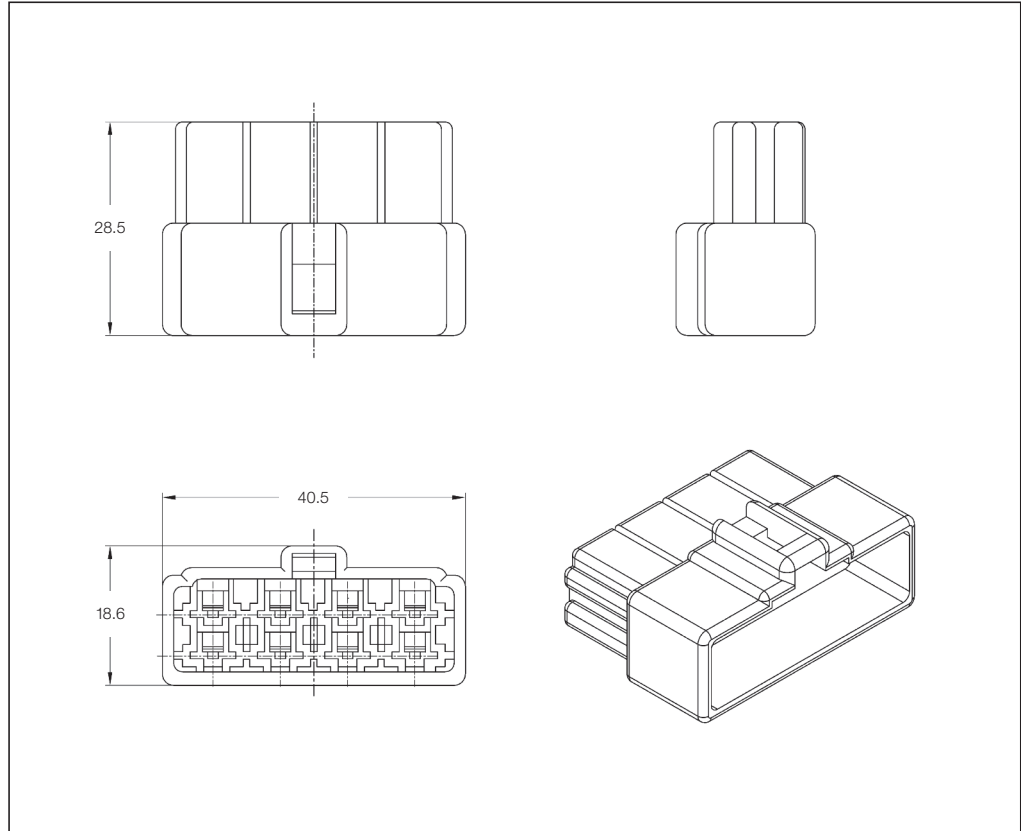
0.3–3.37 mm<sup>2</sup> (AWG 22–12)

**Product Specification:**

108-5153

**Application Specification:**

114-5052



**8 Position Tab (Cap) Housing**

No. of Positions	Housing Color	Part Numbers			
		Tab (Cap) Housing	Package Quantity	Mating Receptacle (Plug) Housing	Applicable Contacts
8	Natural	172135-1	1,300	172136-1	170349-1, 170349-2
	Black	172135-2		172136-2	170340-1, 170340-3
	Blue	172135-5		–	170341-1, 170341-3

10 Position Tab (Cap) Housing – Standard Type

**Technical Features**

**No. of Positions:**

10 Positions

**Housing Material:**

6/6 Nylon

**Wire Size Range:**

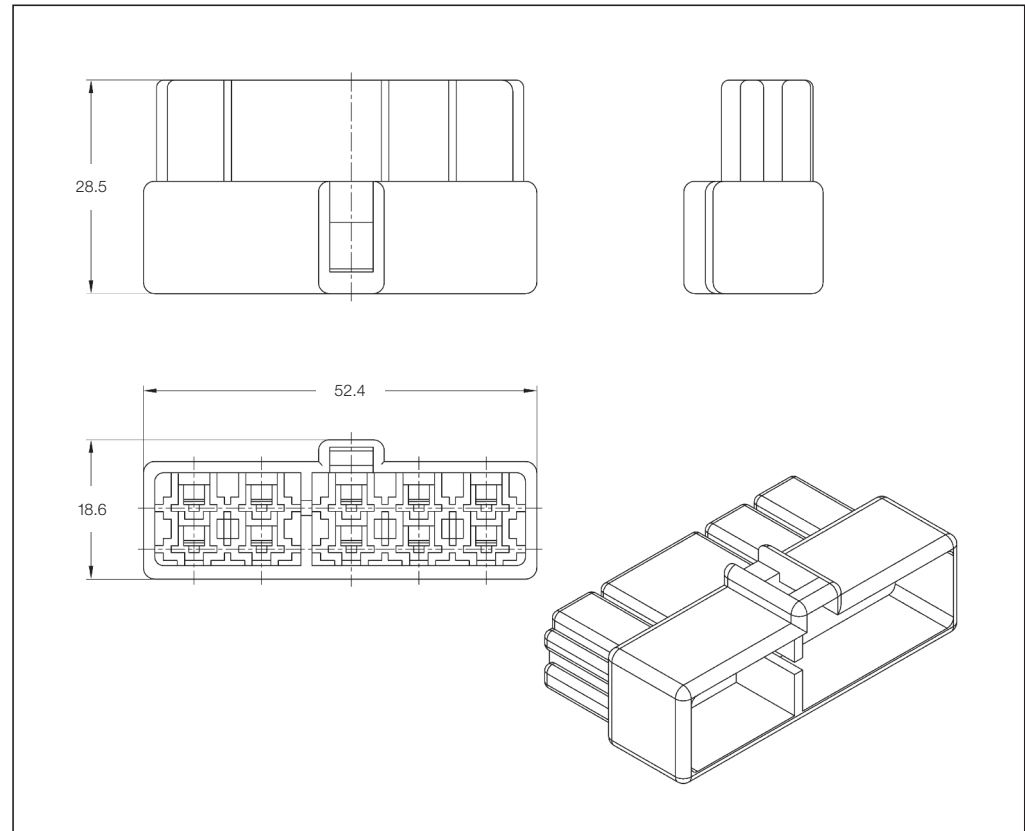
0.3–3.37 mm<sup>2</sup> (AWG 22–12)

**Product Specification:**

108-5153

**Application Specification:**

114-5052



**10 Position Tab (Cap) Housing**

No. of Positions	Housing Color	Part Numbers			
		Tab (Cap) Housing	Package Quantity	Mating Receptacle (Plug) Housing	Applicable Contacts
10	Natural	172137-1	1,000	172138-1	170384-1, 170384-2
	Black	–		172138-2	170032-2, 170032-5 170258-1, 170258-2