

Modular & Traditional



Delphi designs and manufactures various types of electrical centers to meet all unique customer requirements. Delphi's Electrical Centers can be custom designed or supplied from existing designs to meet your needs. Centers are available in Modular and Traditional style, and have the flexibility to accept both SAE and ISO approved device footprints.

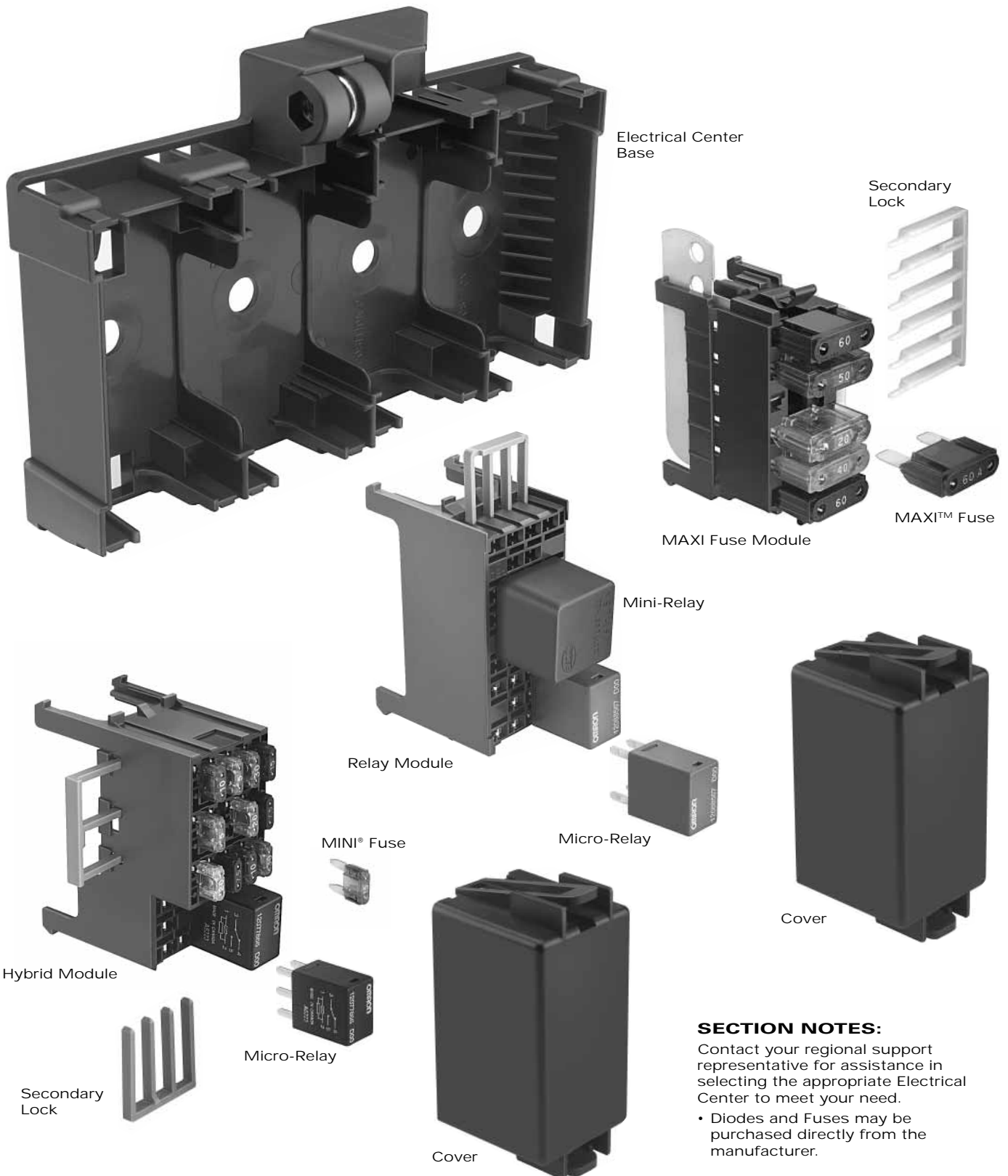


Electrical Center Features

- Centralizes all circuit protection within a wiring system
- Accommodates Mini-Relay and Micro-Relays as well as MINI® Fuses and MAXI™ Fuses
- Modular Electrical Centers create a unique electrical center by combining appropriate modules into a standardized base



Modular



SECTION NOTES:

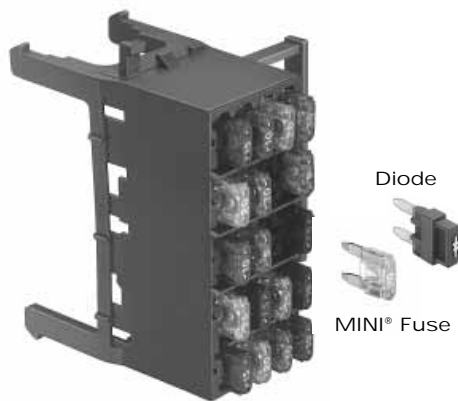
Contact your regional support representative for assistance in selecting the appropriate Electrical Center to meet your need.

- Diodes and Fuses may be purchased directly from the manufacturer.

NOTE: Specifications in this catalog are for general reference only and are subject to change without notice. To verify product information, please contact a Delphi representative.



Modular



MINI Fuse Module



MINI® Fuse



Cover

MINI® Fuse Modules						
Part #	Application	Color	Material	Secondary Lock	Cover	Latch
12191544	20 MINI Fuses	Black	PA66 HS IM 14% GF	12146947	15324032	—
12177145	28 MINI Fuses	Black	PA66 HS IM 14% GF	12092507	12110043	15495959

MAXI™ Fuse Modules						
Part #	Application	Color	Material	Secondary Lock	Cover	Latch
12110129	6 MAXI Fuses RT Battery Feed	Black	PA66 HS 33% GF	12077563	—	—
12077569	6 MAXI Fuses LT Battery Feed	Black	PA66 HS 33% GF	12077563	—	—
12092231	8 MAXI Fuses RT Battery Feed	Black	PA66 HS 33% GF	12077532	12077538	15495959
12092220	8 MAXI Fuses LT Battery Feed	Black	PA66 HS 33% GF	12077532	12077538	15495959

Relay Modules						
Part #	Application	Color	Material	Secondary Lock	Cover	Latch
12077571	6 Micro-Relays	Black	PA66 HS IM	12077572	12160897	15495959
15423524	2 Mini-Relays	Black	PA66 HS IM	12033872	12160897	15495959
12146836	1 Mini/2 Micro-Relays	Black	PA66 HS IM	12146835	15324032	—

Hybrid Modules (Combination of Fuse and Relay Cavities)						
Part #	Application	Color	Material	Secondary Lock	Cover	Latch
12160504	MINI Fuse, Mini-Relay, Micro-Relay	Black	PA66 HS IM 14% GF	12160541	12160897	15495959
12110594	6 MINI Fuses 4 Micro-Relays	Black	PA66 HS IM 14% GF	12110595	12110602	15495959
12146815	12 MINI Fuses, 1 Mini-Relay or 2 Micro-Relays	Black	PA66 HS IM 14% GF	12146816 12146817	15324032	—
12191848	MINI Fuse, MAXI Fuse, Mini-Relay, Micro-Relay	Black	PA66 HS IM 14% GF	12191849	15305152	15495959

Electrical Center Bases			
Part #	Application	Color	Material
12084910	1 Module	Black	PA6
12092741	3 Modules	Black	PA6
12092328	3 Modules w/Battery Feed	Black	PA6
12129121	4 Modules w/Battery Feed	Black	PA6
12110041	4 Modules	Black	PA6
12191497	1 Module	Black	PA6
12077534	1 Module w/Battery Feed	Black	PA6

NOTE: Specifications in this catalog are for general reference only and are subject to change without notice. To verify product information, please contact a Delphi representative.



Modular



280 Metri-Pack Bus Bar Female Terminals Unsealed 15.0mm Centerline Spacing

Base Part # to Order	Type	Cable Range (mm ²)	Part # After Termination	Material	Plating
12160635	1Way	5.0	12160643	Beryllium Copper	Tin
12160636	1Way	3.0 - 2.0	12160644	Beryllium Copper	Tin
12160637	1Way	1.0 - 0.80	12160645	Beryllium Copper	Tin
12160638	1Way	0.50 - 0.35	12160646	Beryllium Copper	Tin
12160641	1Way	1.0 - 0.80 (2 Req'd.)	12160665	Beryllium Copper	Tin
12160640	1Way	0.50 (2 Req'd.)	12160663	Beryllium Copper	Tin
12160642	1Way	0.35 (2 Req'd.)	12160667	Beryllium Copper	Tin
12160635	2Way	5.0	12160648	Beryllium Copper	Tin
12160636	2Way	3.0 - 2.0	12160649	Beryllium Copper	Tin
12160637	2Way	1.0 - 0.80	12160650	Beryllium Copper	Tin
12160641	2Way	1.0 - 0.80 (2 Req'd.)	12160666	Beryllium Copper	Tin
12160635	3Way	5.0	12160652	Beryllium Copper	Tin
12160636	3Way	3.0 - 2.0	12160653	Beryllium Copper	Tin
12160637	3Way	1.0 - 0.80	12160654	Beryllium Copper	Tin
12160638	3Way	0.50 - 0.35	12160655	Beryllium Copper	Tin
12160640	3Way	0.50 (2 Req'd.)	12160664	Beryllium Copper	Tin
12160635	4Way	5.0	12160657	Beryllium Copper	Tin
12160636	4Way	3.0 - 2.0	12160658	Beryllium Copper	Tin
12160635	5Way	5.0	12160660	Beryllium Copper	Tin
12160636	5Way	3.0 - 2.0	12160661	Beryllium Copper	Tin
12160635	6Way	5.0	12160662	Beryllium Copper	Tin



280 Metri-Pack Bus Bar Female Terminals Unsealed 16.2mm Centerline Spacing

Base Part # to Order	Type	Cable Range (mm ²)	Part # After Termination	Material	Plating
12110710	2Way	5.0	12110717	Beryllium Copper	Tin
12110709	2Way	3.0 - 2.0	12110713	Beryllium Copper	Tin
12110708	2Way	1.0 - 0.80	12110711	Beryllium Copper	Tin
12110710	3Way	5.0	12110718	Beryllium Copper	Tin
12110709	3Way	3.0 - 2.0	12110714	Beryllium Copper	Tin
12110708	3Way	1.0 - 0.80	12110712	Beryllium Copper	Tin
12110710	4Way	5.0	12110719	Beryllium Copper	Tin
12110709	4Way	3.0 - 2.0	12110715	Beryllium Copper	Tin
12110710	5Way	5.0	12110720	Beryllium Copper	Tin
12110709	5Way	3.0 - 2.0	12110716	Beryllium Copper	Tin



280 Metri-Pack Female Terminals Unsealed

Part #	Cable Range (mm ²)	Material	Plating
12015858	5.0 - 3.0	Tin Brass	Tin
12129494	3.0 - 2.0	Tin Brass	Tin
12066214	2.0 - 1.0	Tin Brass	Tin
12034046	0.80 - 0.50	Tin Brass	Tin
12052217	0.50 - 0.35	Tin Brass	Tin

NOTE: Specifications in this catalog are for general reference only and are subject to change without notice. To verify product information, please contact a Delphi representative.



Modular

280 Metri-Pack Bus Bar Tangless Female Terminals Unsealed 16.2mm Centerline Spacing

TANGLESS



Base Part # to Order	Type	Cable Range (mm ²)	Part # After Termination	Material	Plating
12110647	1Way	5.0	12110657	Beryllium Copper	Tin
12110646	1Way	3.0 - 2.0	12110652	Beryllium Copper	Tin
12110645	1Way	1.0 - 0.80	12110649	Beryllium Copper	Tin
12110644	1Way	0.50 - 0.35	12110648	Beryllium Copper	Tin
12110662	1Way	1.0 - 0.80 (2 Req'd.)	12110663	Beryllium Copper	Tin
12110664	1Way	0.35 (2 Req'd.)	12110665	Beryllium Copper	Tin
12110685	1Way	0.50 (2 Req'd.)	12110686	Beryllium Copper	Tin
12110647	2Way	5.0	12110658	Beryllium Copper	Tin
12110646	2Way	3.0 - 2.0	12110653	Beryllium Copper	Tin
12110645	2Way	1.0 - 0.80	12110650	Beryllium Copper	Tin
12110647	3Way	5.0	12110659	Beryllium Copper	Tin
12110646	3Way	3.0 - 2.0	12110654	Beryllium Copper	Tin
12110645	3Way	1.0 - 0.80	12110651	Beryllium Copper	Tin
12110647	4Way	5.0	12110660	Beryllium Copper	Tin
12110646	4Way	3.0 - 2.0	12110655	Beryllium Copper	Tin
12110647	5Way	5.0	12110661	Beryllium Copper	Tin
12110646	5Way	3.0 - 2.0	12110656	Beryllium Copper	Tin

280 Metri-Pack Tangless Female Terminals Unsealed

TANGLESS



Part #	Cable Range (mm ²)	Material	Plating
12129425	5.0 - 3.0	Tin Brass	Tin
12129663	3.0	Tin Brass	Tin
12129424	2.0 - 1.0	Tin Brass	Tin
12110844	1.0 - 0.80	Tin Brass	Tin
12110843	0.50 - 0.35	Tin Brass	Tin
12129061	2.0 - 0.35	Tin Brass	Tin

480 Metri-Pack Relay Female Terminals Unsealed

Part #	Cable Range (mm ²)	Material	Plating
12065892	3.0 - 2.0	Silicon Bronze	Tin
12065894	1.0 - 0.80	Silicon Bronze	Tin
12065893	0.50 - 0.35	Silicon Bronze	Tin
12103948	1.0 - 0.80 (2 Req'd.)	Silicon Bronze	Tin
12089236	0.35 (2 Req'd.)	Silicon Bronze	Tin



630 Metri-Pack Relay Female Terminals Unsealed

Part #	Cable Range (mm ²)	Material	Plating
12084588	5.0	Tin Brass	Tin
12052227	3.0	Tin Brass	Tin
12015865	2.0 - 1.0	Tin Brass	Tin
12015864	1.0 - 0.80	Tin Brass	Tin
12052225	0.50 - 0.35	Tin Brass	Tin
12124559	0.80 - 0.50 (2 Req'd.)	Tin Brass	Tin



NOTE: Specifications in this catalog are for general reference only and are subject to change without notice. To verify product information, please contact a Delphi representative.



Modular



630 Metri-Pack Female Terminals Unsealed

Part #	Cable Range (mm ²)	Material	Plating
12084590	5.0 - 3.0	Tin Brass	Tin
12052224	3.0	Tin Brass	Tin
12084596	5.0 - 3.0 (2 Req'd.)	Tin Brass	Tin
12015870	2.0 - 1.0	Tin Brass	Tin
12015869	0.80 - 0.50	Tin Brass	Tin
12020035	0.80 - 0.50 (2 Req'd.)	Tin Brass	Tin
12052222	0.50 - 0.35	Tin Brass	Tin



800 MAXI Fuse Female Terminals Unsealed

Part #	Cable Range (mm ²)	Material	Plating
12110127	5.0	Tin Brass	Silver/Nickel
12092445	5.0 (2 Req'd.)	Tin Brass	Silver/Nickel
12065916	3.0 - 2.0	Tin Brass	Silver/Nickel
12092444	3.0 (2 Req'd.)	Tin Brass	Silver/Nickel
12110128	2.0 (2 Req'd.)	Tin Brass	Silver/Nickel
12065915	1.0 - 0.80	Tin Brass	Silver/Nickel
12065918	1.0 (2 Req'd.)	Tin Brass	Silver/Nickel



800 MAXI Fuse Bus Bar Female Terminals Unsealed

Part #	Material	Plating
12146564	Copper Alloy/SST	Silver/Nickel
12065930	Copper Alloy/SST	Silver/Nickel

Both required for Electrical Center 12146281, page 7.19



Ring Terminals

Stud Size	Hole Dia.	Part #	Cable Range (mm ²)	Material	Plating
M6	6.70	12103965	8.0	Copper Alloy	Tin
M6	6.70	12103511	1.0 - 0.8 (2 Req'd.)	Copper Alloy	Tin
M6	6.70	12103512	5.0	Copper Alloy	Tin
M6	6.70	12103513	3.0 - 2.0	Copper Alloy	Tin
M6	6.70	12103514	1.0 - 0.80	Copper Alloy	Tin
M8	8.50	12103502	8.0	Copper Alloy	Tin
M8	8.50	12103504	5.0	Copper Alloy	Tin
M8	8.50	12103506	3.0 - 2.0	Copper Alloy	Tin
M8	8.50	12103508	1.0 - 0.80	Copper Alloy	Tin

NOTE: Specifications in this catalog are for general reference only and are subject to change without notice. To verify product information, please contact a Delphi representative.



Modular

6.3 VF Female Terminals Unsealed

Part #	Cable Range (mm ²)	Material	Plating
12185268	1.0-0.50	Copper Nickel Silicone	Tin
12185269	2.5 - 0.50	Copper Nickel Silicone	Tin
12157764	4.0	Copper Nickel Silicone	Tin



AF Female Terminals Unsealed

Part #	Cable Range (mm ²)	Material
12131456	1.0-0.50	CuZn 30
12131448	2.5-1.5	CuZn 30
12131455	6.0-4.0	CuZn 30



280 Metri-Pack Tangless Female Terminals Sealed

Part #	Cable Range (mm ²)	Material	Plating
12110853	5.0 - 3.0	Tin Brass	Tin
12129409	2.0	Tin Brass	Tin

TANGLSS



630 Metri-Pack Pull-to-Seat Female Terminals

Part #	Cable Range (mm ²)	Material	Plating
12033997	3.0	Tin Brass	Tin
12066614	2.0 - 1.0	Tin Brass	Tin
12020156	0.80 - 0.50	Tin Brass	Tin



280 Metri-Pack Cable Seals

Reel Part #	Loose Part #	Cable Dia.	Material	Color
12015360	15324981	4.30-3.45	Silicone	Blue
12015359	15324980	3.49-2.81	Silicone	Gray
12015284	15324982	2.85-2.03	Silicone	Green
12041352	15324984	2.42-2.03	Silicone	Tan
12089444	15324985	2.15-1.60	Silicone	Purple
12034365	15324983	1.70-1.29	Silicone	Dk. Red



280 Metri-Pack Cavity Plug*

Part #	Cavity Inside Dia.	Material	Color
12010300	6.7mm	Silicone	Green



*Cavity plugs seal unused female and male cavities.

Pull-to-Seat Cable Seal Plugs*

Part #	Description	Material	Color	Cable Range (mm ²)	Type
12065266	Seal Plug	PA6	Md. Gray	1.85-1.65	Machine Insertion
12034413	Seal Plug	PA6	Black	1.85-1.10	Hand Insertion



*Cavity plugs seal unused female and male cavities.

NOTE: Specifications in this catalog are for general reference only and are subject to change without notice. To verify product information, please contact a Delphi representative.



Modular MINI® Fuse Modules

A. Part No: 12191544

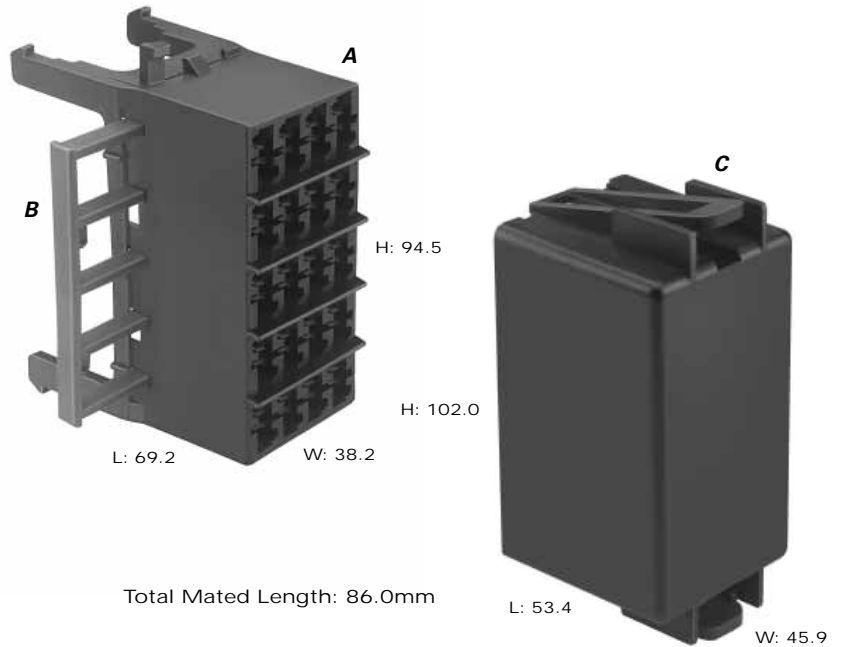
Description: MINI Fuse Module
 Size: 69.2L x 94.5H x 38.2W
 Color: Black
 Material: PA66 HS IM 14% GF
 Terminals: See Page 7.4 Bus Bar
 15.0mm Centerline
 Application: 20 MINI® Fuses

B. Part No: 12146947

Description: Secondary Lock
 Color: Blue
 Material: PA66 HS

C. Part No: 15324032

Description: Cover
 Size: 53.4L x 102.0H x 45.9W
 Color: Black
 Material: PA6

**D. Part No: 12177145**

Description: MINI Fuse Module
 Size: 69.2L x 113.0H x 38.2W
 Color: Black
 Material: PA66 HS IM 14% GF
 Terminals: See Page 7.4 Bus Bar
 15.0mm Centerline
 Application: 28 MINI® Fuses

E. Part No: 12092507

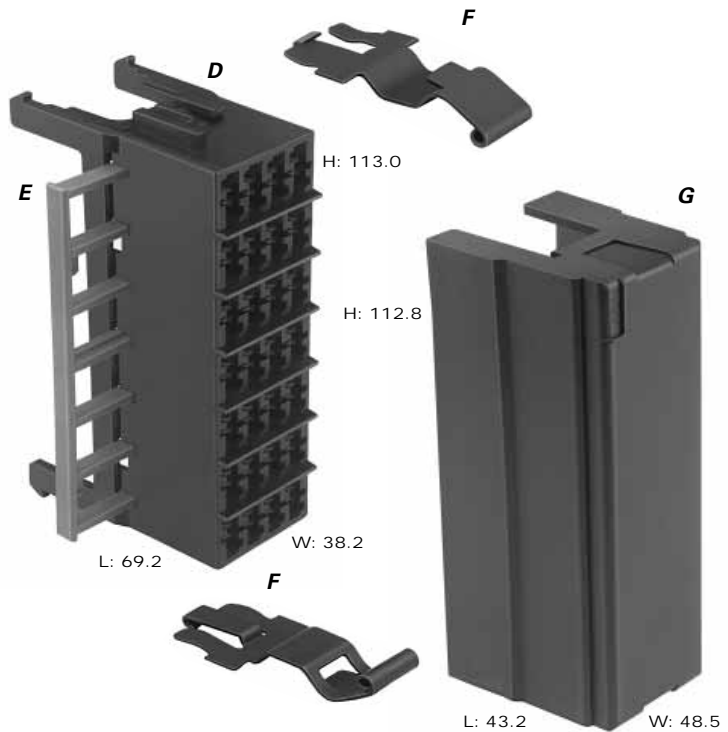
Description: Secondary Lock
 Color: Blue
 Material: PBT IM

F. Part No: 15495959

Description: Latch
 Number Req: 2
 Color: Black
 Material: 1050 Steel Annealed

G. Part No: 12110043

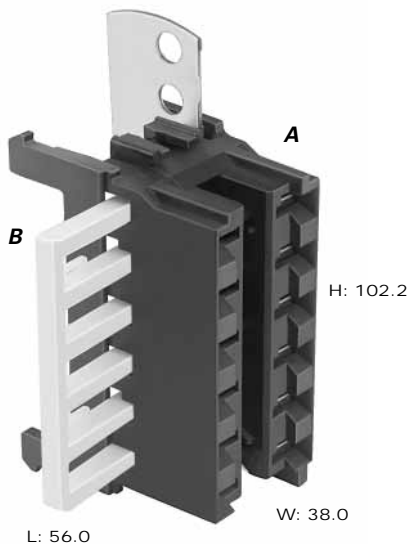
Description: Cover
 Size: 43.2L x 112.8H x 48.5W
 Color: Black
 Material: PA66 HS IM 14% GF



NOTE: Specifications in this catalog are for general reference only and are subject to change without notice. To verify product information, please contact a Delphi representative.



Modular MAXI™ Fuse Modules

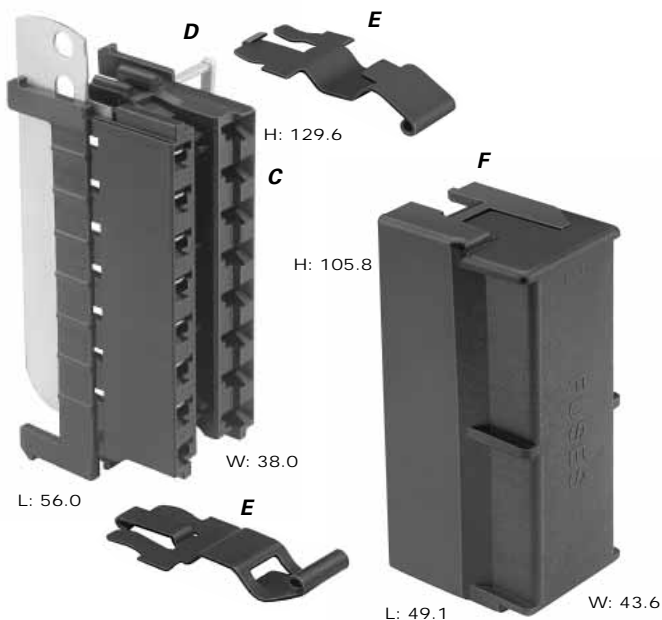


A. Part No: **12110129**
(Right Battery Feed)
12077569
(Left Battery Feed)
12160829
(w/o Bus Bar)

Description: MAXI Fuse Assembly Module
Size: 56.0L x 102.2H x 38.0W
Color: Black
Material: PA66 HS 33% GF
Terminals: See Page 7.6, 800 MAXI Fuse Female
Application: 6 MAXI Fuses

B. Part No: **12077563**

Description: Secondary Lock
Color: Natural
Material: PA66 HS



C. Part No: **12092231**
(Right Battery Feed)
12092220
(Left Battery Feed.
Base Design Req'd.)
12110415
(w/o Bus Bar)

Description: MAXI Fuse Assembly Module
Size: 56.0L x 129.6H x 38.0W
Color: Black
Material: PA66 HS 33% GF
Terminals: See Page 7.6, 800 MAXI Fuse Female
Application: 8 MAXI Fuses

D. Part No: **12077532**

Description: Secondary Lock
Color: Natural
Material: PA66 HS IM

E. Part No: **15495959**

Description: Latch
Number Req: 2
Color: Black
Material: 1050 Steel Annealed

F. Part No: **12077538**

Description: Cover
Size: 49.1L x 105.8H x 43.6W
Color: Black
Material: PA66 HS IM 14% GF

Total Mated Length: 77.5mm

NOTE: Specifications in this catalog are for general reference only and are subject to change without notice. To verify product information, please contact a Delphi representative.



Modular Relay Modules

A. Part No: 12077571

Description: Relay Module
 Size: 50.0L x 86.2H x 38.2W
 Color: Black
 Material: PA66 HS IM
 Terminals: See Page 7.5, 7.6, 480 Metri-Pack Relay and 630 Metri-Pack Female
 Application: 6 Micro-Relays (ISO)

B. Part No: 12077572

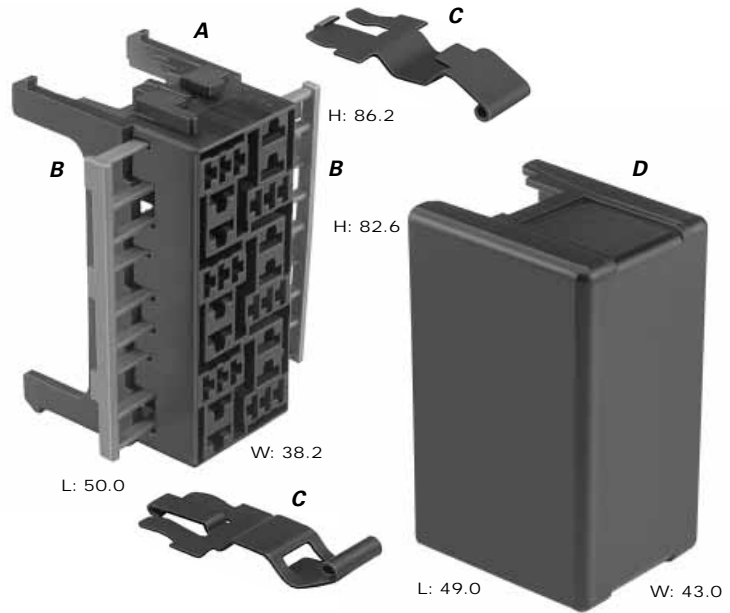
Description: Secondary Lock
 Number Req: 2
 Color: Blue
 Material: PBT HS IM

C. Part No: 15495959

Description: Latch
 Number Req: 2
 Color: Black
 Material: 1050 Steel Annealed

D. Part No: 12160897

Description: Cover
 Size: 49.0L x 82.6H x 43.0W
 Color: Black
 Material: PA6



Total Mated Length: 78.2mm

E. Part No: 15423524

Description: Relay Module
 Size: 50.0L x 86.8H x 37.6W
 Color: Black
 Material: PA66 HS IM
 Terminals: See Page 7.5, 630 Metri-Pack Relay
 Application: 2 Mini-Relays (ISO)

F. Part No: 12033872

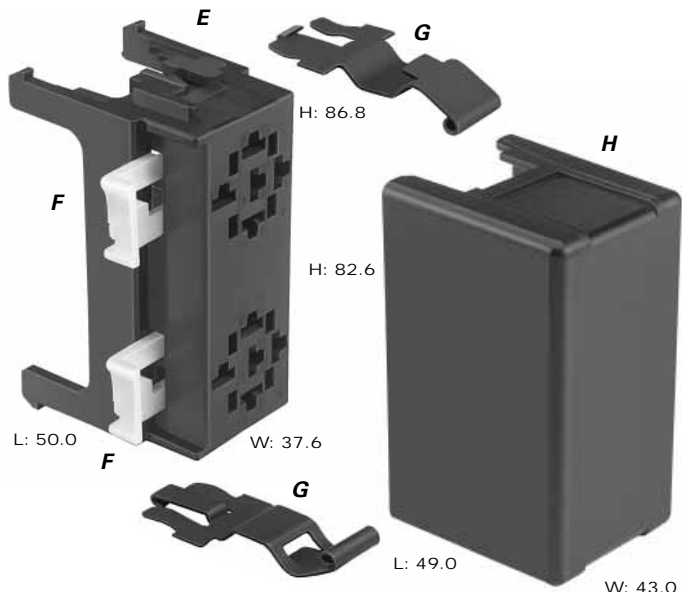
Description: TPA
 Number Req: 2
 Color: Natural
 Material: PA6

G. Part No: 15495959

Description: Latch
 Number Req: 2
 Color: Black
 Material: 1050 Steel Annealed

H. Part No: 12160897

Description: Cover
 Size: 49.0L x 82.6H x 43.0W
 Color: Black
 Material: PA6

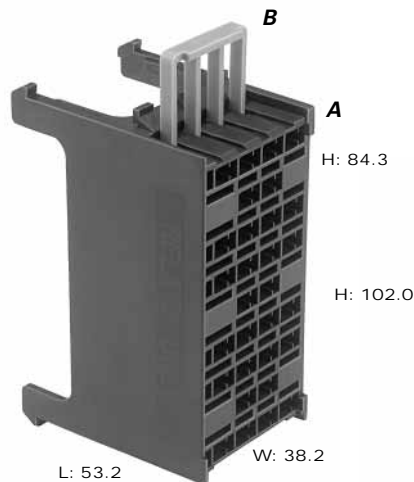


Total Mated Length: 78.2mm

NOTE: Specifications in this catalog are for general reference only and are subject to change without notice. To verify product information, please contact a Delphi representative.



Modular Relay Modules



A. Part No: 12146836†

Description: Relay Module
 Size: 53.2L x 84.3H x 38.2W
 Color: Black
 Material: PA66 HS IM
 Terminals: See Page 7.5, 280 Metri-Pack Tangless
 Application: 1 Mini-Relay / 2 Micro-Relays

B. Part No: 12146835

Description: Secondary Lock
 Color: Blue
 Material: PA66 HS IM

C. Part No: 15324032

Description: Cover
 Size: 53.4L x 102.0H x 45.9W
 Color: Black
 Material: PA6

Total Mated Length: 82.1mm

† Do not use thin stock female terminals with 1.0mm² or larger cable.

NOTE: Specifications in this catalog are for general reference only and are subject to change without notice. To verify product information, please contact a Delphi representative.



Modular Hybrid Modules

A. Part No: 12160504

Description: Hybrid Module
 Size: 52.2L x 85.9H x 42.2W
 Color: Black
 Material: PA66 HS IM 14% GF
 Terminals: See Page 7.5, 280 Bus Bar 16.2mm Centerline Tangless
 Application: MINI® Fuse, Mini-Relay, Micro-Relay
 Note: Mylar overlays available upon request

B. Part No: 12160541

Description: Secondary Lock
 Color: Blue
 Material: PA66 HS IM

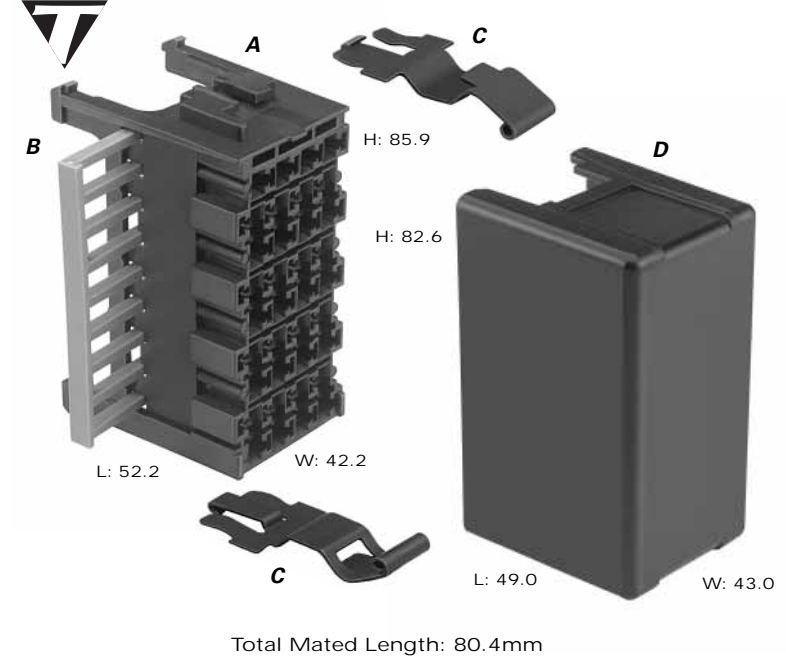
C. Part No: 15495959

Description: Latch
 Number Req: 2
 Color: Black
 Material: 1050 Steel Annealed

D. Part No: 12160897

Description: Cover
 Size: 49.0L x 82.6H x 43.0W
 Color: Black
 Material: PA6

TANGLESS



E. Part No: 12110594

Description: Hybrid Module
 Size: 67.3L x 75.5H x 38.2W
 Color: Black
 Material: PA66 HS IM 14% GF
 Terminals: See Page 7.4-7.6, 280 Bus Bar 15.0mm Centerline, 480 Metri-Pack Relay and 630 Metri-Pack Female
 Application: 6 MINI® Fuses / 4 Micro-Relays (ISO)

F. Part No: 12110595

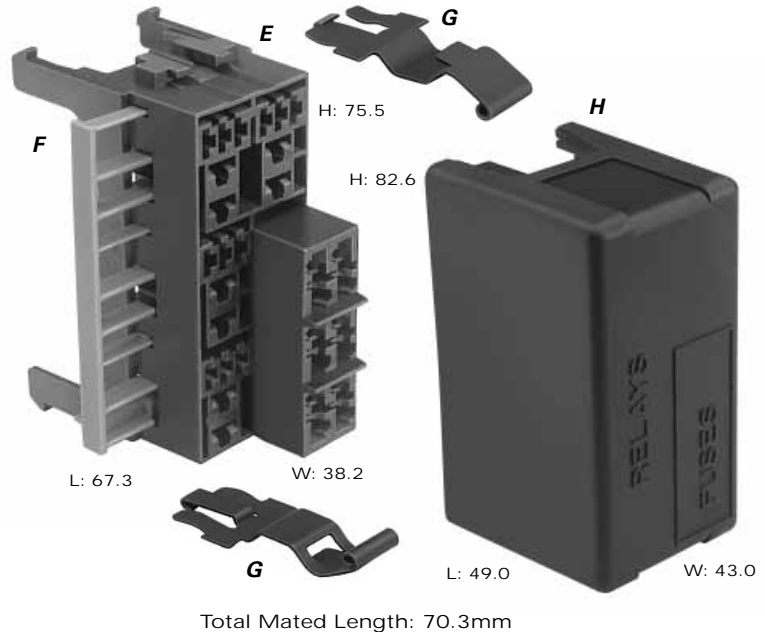
Description: Secondary Lock
 Color: Blue
 Material: PA66 HS IM

G. Part No: 15495959

Description: Latch
 Number Req: 2
 Color: Black
 Material: 1050 Steel Annealed

H. Part No: 12110602

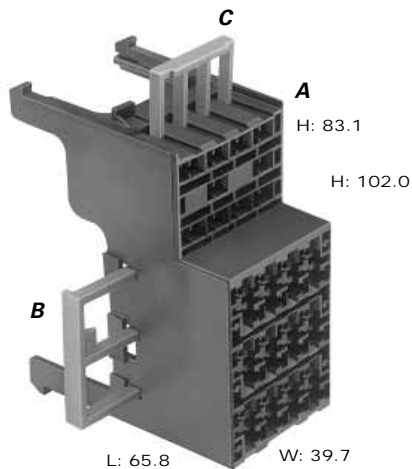
Description: Cover
 Size: 49.0L x 82.6H x 43.0W
 Color: Black
 Material: PA66 HS IM



NOTE: Specifications in this catalog are for general reference only and are subject to change without notice. To verify product information, please contact a Delphi representative.



Modular Hybrid Modules



A. Part No: 12146815

Description:	Hybrid Module
Size:	65.8L x 83.1H x 39.7W
Color:	Black
Material:	PA66 HS IM 14% GF
Terminals:	See Page 7.5, 280 Bus Bar 16.2mm Centerline Tangless and 280 Metri-Pack Tangless
Application:	12 MINI® Fuses / 1 Mini-Relay and 2 Micro-Relays

B. Part No: 12146816

Description:	Secondary Lock
Color:	Blue
Material:	PA66 HS IM

C. Part No: 12146817

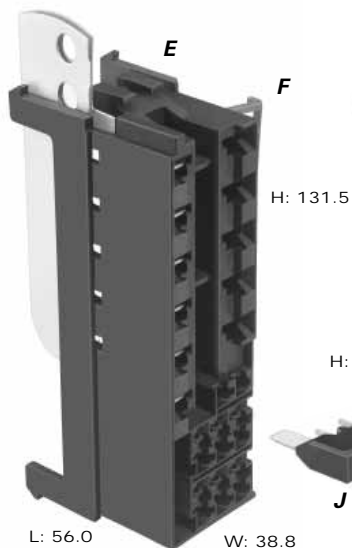
Description:	Secondary Lock
Color:	Blue
Material:	PA66 HS IM

D. Part No: 15324032

Description:	Cover
Size:	53.4L x 102.0H x 45.9W
Color:	Black
Material:	PA6

**E. Part No: 12191848
12191847 (w/o Bus Bar)**

Description:	Hybrid Assembly Module
Size:	56.0L x 131.5H x 38.8W
Color:	Black
Material:	PA66 HS IM 14% GF
Terminals:	See Page 7.4-7.6, 280 Bus Bar 15.0mm Centerline and 800 MAXI Fuse Female
Application:	MINI® Fuse, MAXI™ Fuse, Mini-Relay, Micro-Relay



F. Part No: 12191849

Description:	Secondary Lock
Color:	Blue
Material:	PBT

G. Part No: 15495959

Description:	Latch
Number Req:	2
Color:	Black
Material:	1050 Steel Annealed

H. Part No: 15305152

Description:	Cover
Size:	82.0L x 113.7H x 49.8W
Color:	Black
Material:	PP

J. Part No: 12160674

Description:	Shunt
Color:	Black
Material:	PA66 HS IM
Note:	Provides Bussing to MINI® Fuses from MAXI™ Fuses

NOTE: Specifications in this catalog are for general reference only and are subject to change without notice. To verify product information, please contact a Delphi representative.

Modular

Electrical Center Base Application Guide

Use this guide to choose the proper base in combining fuse, relay, and hybrid module assemblies.

BASE STYLE	Fuse Modules				Relay Modules			Hybrid Modules				
	MINI® FUSE		MAXI™ FUSE					(FUSES & RELAYS)				
	12191544	12177145	12110129 12077569 12160829	12092231 12110415	12077571	15423524	12146836	12160504	12110594	12191847 12146815	12191848	
	Page 7.8	Page 7.8	Page 7.9	Page 7.9	Page 7.10	Page 7.10	Page 7.11	Page 7.12	Page 7.12	Page 7.13	Page 7.13	
A	12084910 (1 Way)	■				■	■	■	■	■	■	
B	12191497 (1 Way)		■									
C	12077534 (1 Way w/ Battery Feed)				■							■
D	12092741 (3 Way)	■				■	■	■	■	■	■	
E	12092328 (3 Way w/ Battery Feed)	■		■		■	■	■	■	■	■	
F	12129121 (4 Way w/ Battery Feed)	■		■		■	■	■	■	■	■	
G*	12110041 (4 Way)	■	■			■	■	■	■	■	■	

*Note: 1 MINI Fuse Module (12177145) and a combination of 3 other modules.



A. Part No: 12084910

Description: 1 Way Electrical Center Base
 Size: 35.7L x 118.5H x 47.2W
 Color: Black
 Material: PA6
 Application: 1 Module

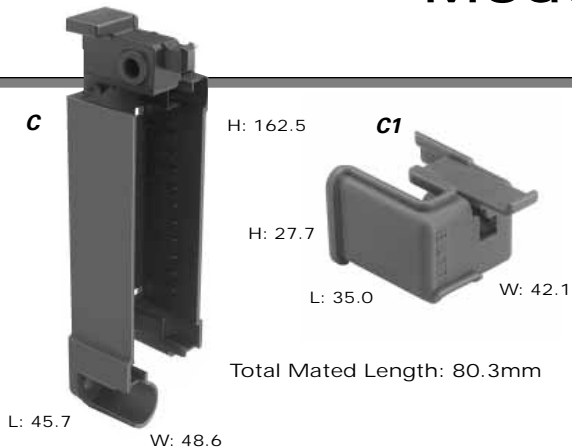


B. Part No: 12191497

Description: 1 Way Electrical Center Base
 Size: 37.0L x 144.0H x 45.7W
 Color: Black
 Material: PA6
 Application: 1 Module

NOTE: Specifications in this catalog are for general reference only and are subject to change without notice. To verify product information, please contact a Delphi representative.

Modular

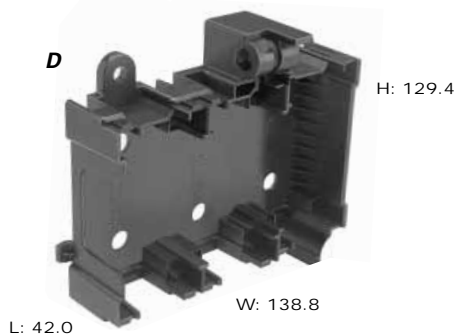


C. Part No: 12077534

Description:	1 Way Electrical Center Base Assembly
Size:	45.7L x 162.5H x 48.6W
Color:	Black
Material:	PA6
Application:	1 Module (w/ Battery Feed)

C1. Part No: 12092332
(Horizontal Wire Feed)
12092669
(Vertical Wire Feed)

Description:	Battery Terminal Cover
Size:	35.0L x 27.7H x 42.1W
Color:	Red
Material:	PA6

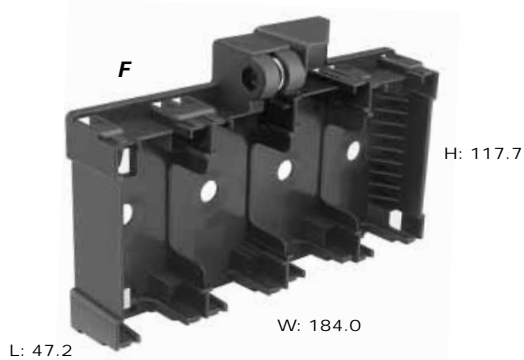


D. Part No: 12092741

Description:	3 Way Electrical Center Base
Size:	42.0L x 129.4H x 138.8W
Color:	Black
Material:	PA6
Application:	3 Modules

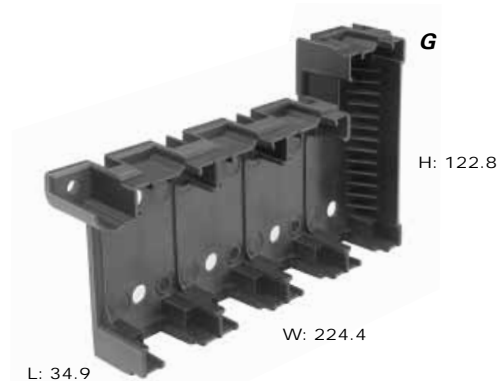
E. Part No: 12092328

Description:	3 Way Electrical Center Base Assembly
Size:	42.0L x 129.4H x 138.8W
Color:	Black
Material:	PA6
Application:	3 Modules (w/ Battery Feed)



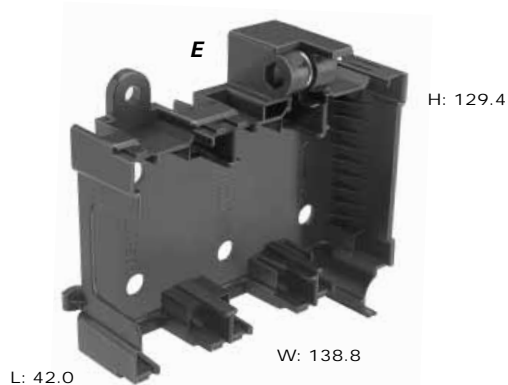
F. Part No: 12129121

Description:	4 Way Electrical Center Base Assembly
Size:	47.2L x 117.7H x 184.0W
Color:	Black
Material:	PA6
Application:	4 Modules (w/ Battery Feed)



G. Part No: 12110041

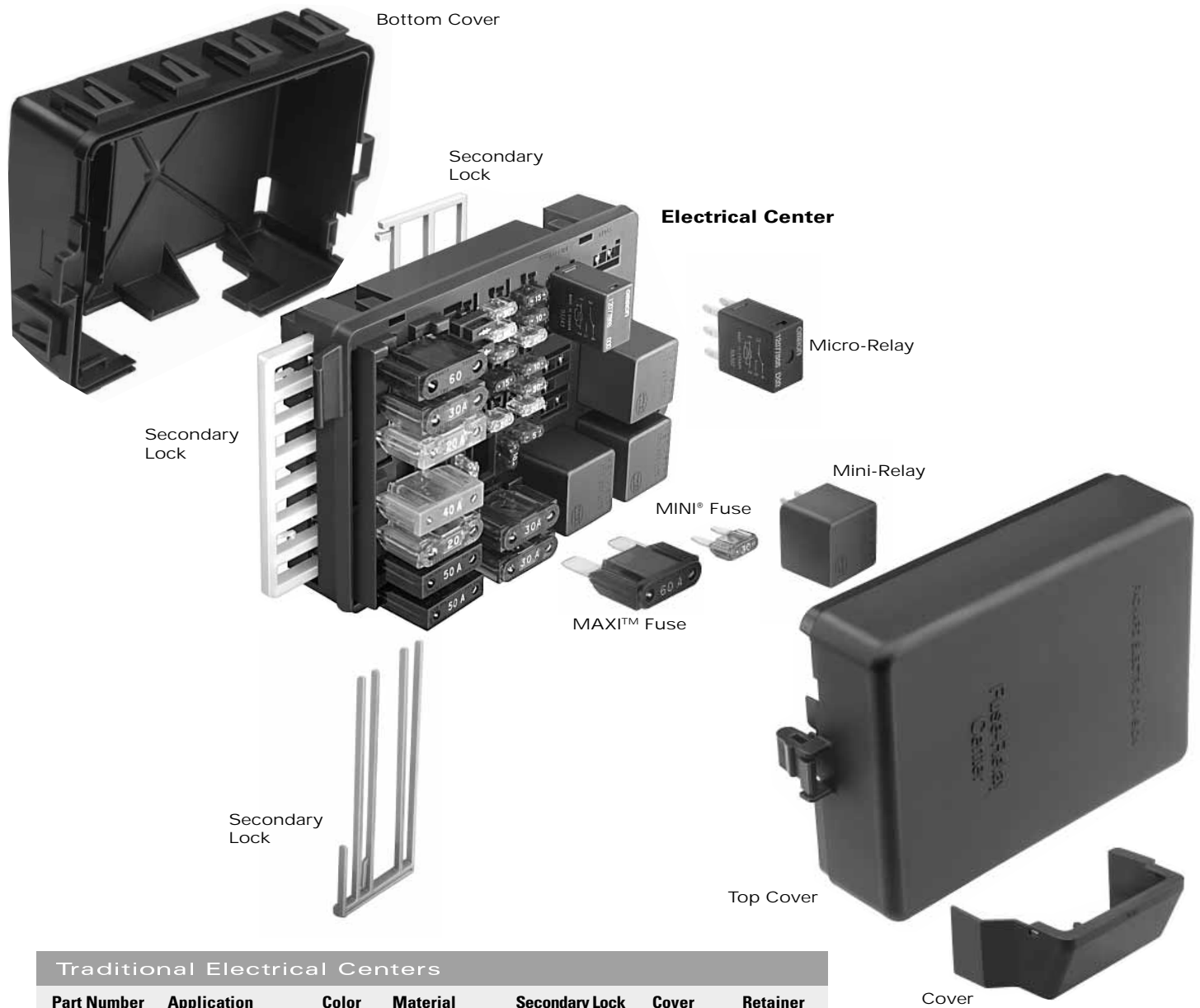
Description:	4 Way Electrical Center Base
Size:	34.9L x 122.8H x 224.4W
Color:	Black
Material:	PA6
Application:	1 MINI Fuse Module (12177145) and a combination of 3 other modules



NOTE: Specifications in this catalog are for general reference only and are subject to change without notice. To verify product information, please contact a Delphi representative.



Traditional



Traditional Electrical Centers						
Part Number	Application	Color	Material	Secondary Lock	Cover	Retainer
12129833	12 MINI® Fuses, 14 Relays	Black	PA66 HS IM	12129835	12160906	
				12129834	12160277	
				12129836		
				12129837		
15358661	28 MINI® Fuses 1 Relay 2 Circuit Breakers	Black	PA66 HS IM 14%GF	12160677		12092748
				12160678		
				12160679		
12146281	10 MAXI™ Fuses 16 MINI® Fuses Micro-Relays Mini-Relays 2 Diodes	Black	PA66 HS IM	12146805	12146286	
				12146284	12162365	
				12077532	12160765	
				12146283		

SECTION NOTES:
 Contact your regional support representative for assistance in selecting the appropriate Electrical Center to meet your need.

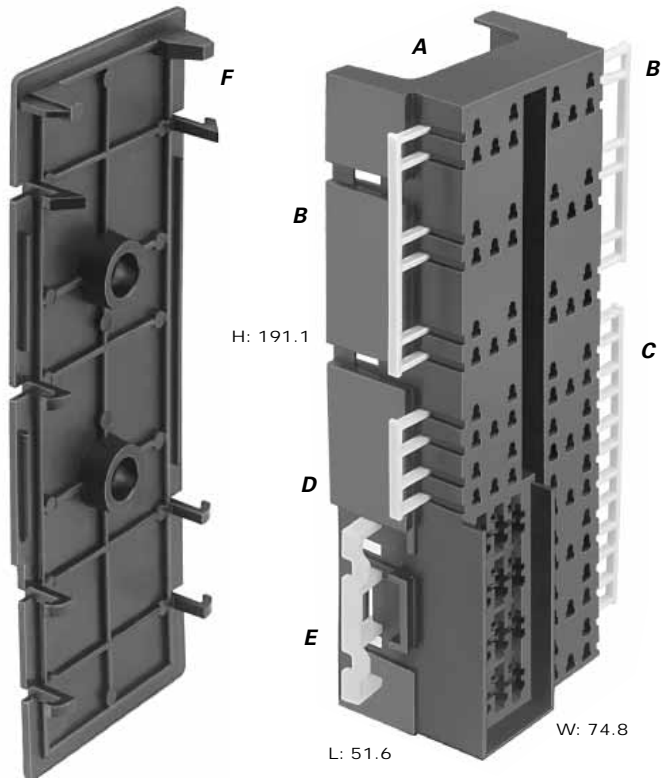
- Circuit breakers, fuses and diodes may be purchased directly from the manufacturer.

NOTE: Specifications in this catalog are for general reference only and are subject to change without notice. To verify product information, please contact a Delphi representative.

Electrical Centers



Traditional



Total Mated Length: 54.3mm

A. Part No: 12129833

Description: Convenience Center
 Size: 51.6L x 191.1H x 74.8W
 Color: Black
 Material: PA66 HS IM
 Terminals: See Page 7.4
 Applications: 12 MINI® Fuses, 14 Relays
 Note: 12160277 Shipping Cover available.

B. Part No: 12129835

Description: Secondary Lock
 Color: Natural
 Number Req: 2
 Material: PBT

C. Part No: 12129834

Description: Secondary Lock
 Color: Natural
 Material: PBT

D. Part No: 12129836

Description: Secondary Lock
 Color: Natural
 Material: PBT

E. Part No: 12129837

Description: Secondary Lock
 Color: Natural
 Material: PBT

F. Part No: 12160906

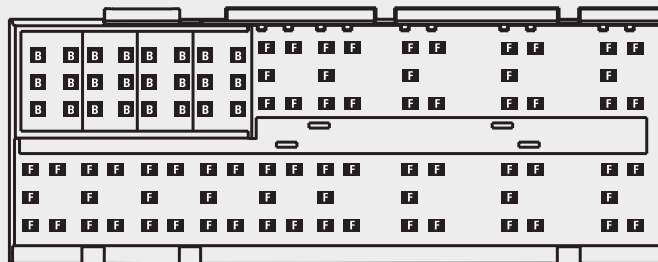
Description: Cover
 Color: Black
 Material: PA66 HS IM

KEY:

B – 280 Metri-Pack Bus Bar 16.2mm Centerline

F – 280 Metri-Pack

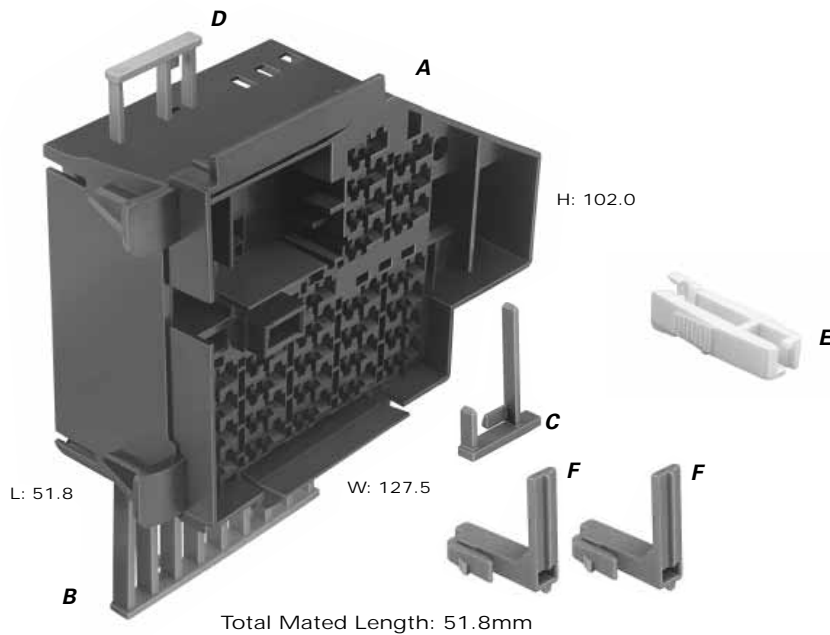
Traditional Electrical Centers feature a combination of different terminal cavities, as indicated by the Key.



NOTE: Specifications in this catalog are for general reference only and are subject to change without notice. To verify product information, please contact a Delphi representative.



Traditional

**A. Part No: 15358661**

Description: Fuseblock
 Size: 51.8L x 102.0H x 127.5W
 Color: Black
 Material: PA66 HS IM 14% GF
 Terminals: See Page 74
 Applications: 28 MINI® Fuses, 1 Relay, 2 Circuit Breakers

B. Part No: 12160677

Description: Secondary Lock
 Color: Blue
 Material: PBT

C. Part No: 12160678

Description: Secondary Lock
 Color: Blue
 Material: PBT

D. Part No: 12160679

Description: Secondary Lock
 Color: Blue
 Material: PBT

E. Part No: 12084791

Description: Fuse Extractor
 Color: White
 Material: PA66

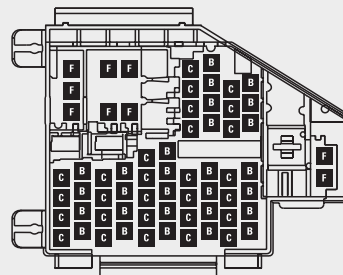
F. Part No: 12092748

Description: Device Position Assurance
 Number Req: 2
 Color: Red
 Material: PP

KEY:

- B** – 280 Metri-Pack Bus Bar 16.2mm Centerline
- C** – 280 Metri-Pack Bus Bar 15.0mm Centerline
- F** – 280 Metri-Pack

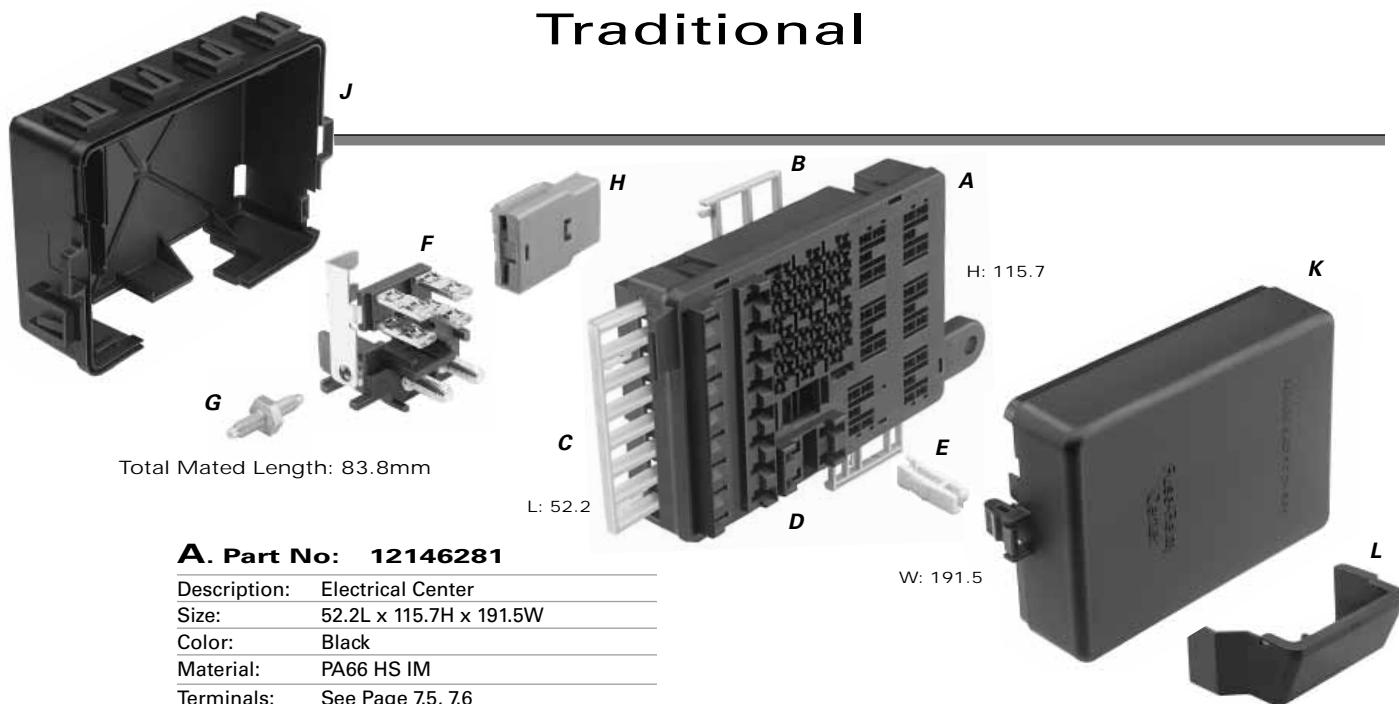
Traditional Electrical Centers feature a combination of different terminal cavities, as indicated by the Key.



NOTE: Specifications in this catalog are for general reference only and are subject to change without notice. To verify product information, please contact a Delphi representative.



Traditional



Total Mated Length: 83.8mm

A. Part No: 12146281

Description: Electrical Center
 Size: 52.2L x 115.7H x 191.5W
 Color: Black
 Material: PA66 HS IM
 Terminals: See Page 7.5, 7.6
 Applications: 10 MAXI™ Fuses, 16 MINI® Fuses,
 2 Diodes, Micro-Relays, Mini-Relays

B. Part No: 12146284

Description: Secondary Lock
 Color: Gray
 Material: PBT

C. Part No: 12077532

Description: Secondary Lock
 Color: Natural
 Material: PA66 HS IM

D. Part No: 12146283

Description: Secondary Lock
 Color: Gray
 Material: PBT

E. Part No: 12084791

Description: Fuse Extractor
 Color: White
 Material: PA66

F. Part No: 15492611

Description: Bus Stud Terminal Assembly
 Color: Black
 Material: PA66 HS IM 14% GF
 Terminals: See Page 7.6, M8 Ring

G. Part No: 12160759

Description: Bolt
 Material: Steel
 Terminals: See Page 7.6, M6 Ring

H. Part No: 12146805

Description: Secondary Lock
 Color: Gray
 Material: PP

J. Part No: 12146286

Description: Bottom Cover
 Color: Black
 Material: PA66 HS IM
 Note: Cover will accept 6 external relays.

K. Part No: 12162365

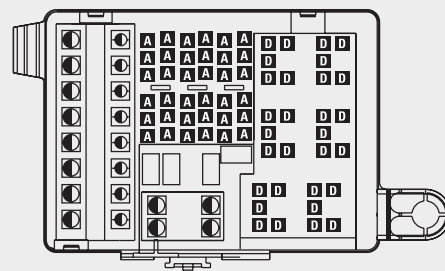
Description: Top Cover
 Color: Black
 Material: PA66 HS IM

L. Part No: 12160765

Description: Bus Stud Assembly Cover
 Color: Black
 Material: PP IM

KEY:

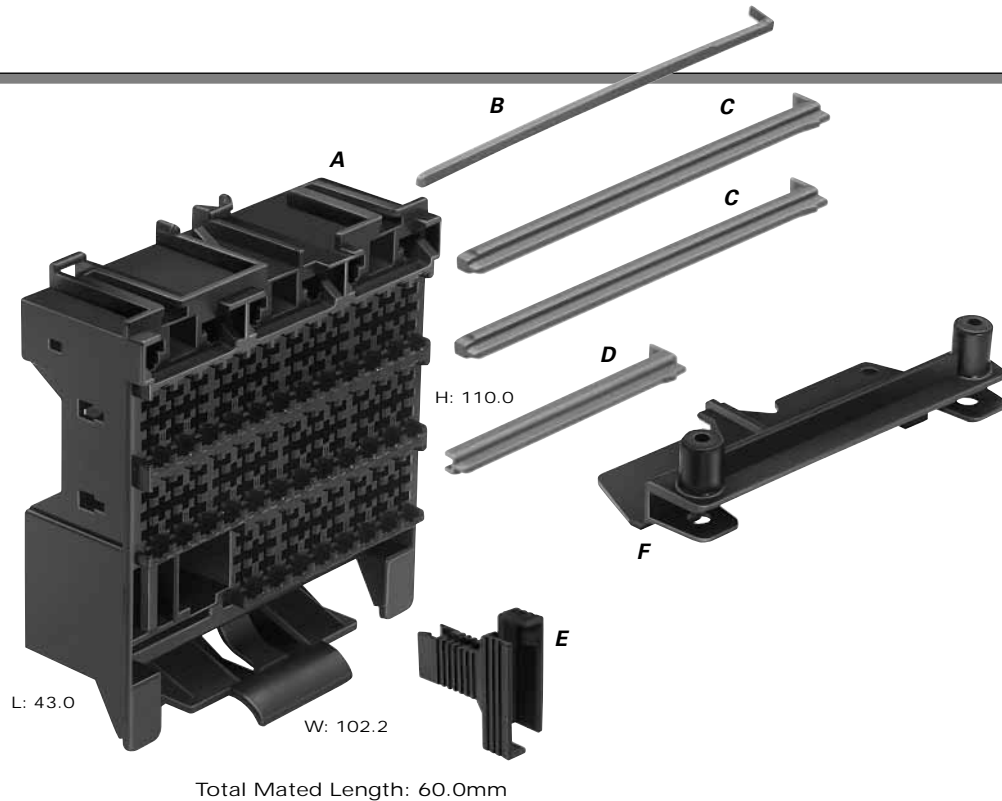
- A** – 280 Metri-Pack Bus Bar 16.2 Centerline Tangless
 - D** – 280 Metri-Pack Tangless
 - 800 MAXI Fuse Bus Bar
 - 800 MAXI™ Fuse
 - Spare MINI® Fuse Cavity
- Traditional Electrical Centers feature a combination of different terminal cavities, as indicated by the Key.
- To assemble this electrical system, informational drawing 12146337 is available.



NOTE: Specifications in this catalog are for general reference only and are subject to change without notice. To verify product information, please contact a Delphi representative.



Traditional

**A. Part No: 10740483**

Description: Fuseblock
 Size: 43.0L x 110.0H x 102.2W
 Color: Black
 Material: PA66 HS
 Terminals: See Page 7.7
 Applications: 32 ATO® Fuses, 3 MAXI™ Fuses

B. Part No: 10740484

Description: Secondary Lock
 Color: Gray
 Material: PA6 15% GF

C. Part No: 10717812

Description: Secondary Lock
 Number Req: 2
 Color: Gray
 Material: PA6 15% GF

D. Part No: 10740485

Description: Secondary Lock
 Color: Gray
 Material: PA6 15% GF

E. Part No: 12185643 (Optional)

Description: Fuse Extractor
 Color: Black
 Material: PA6

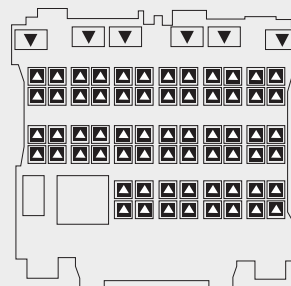
F. Part No: 10718038

Description: Hinge
 Color: Black
 Material: PP

KEY:

- ▼ 800 Metri-Pack
- ▲ 6.3 VF

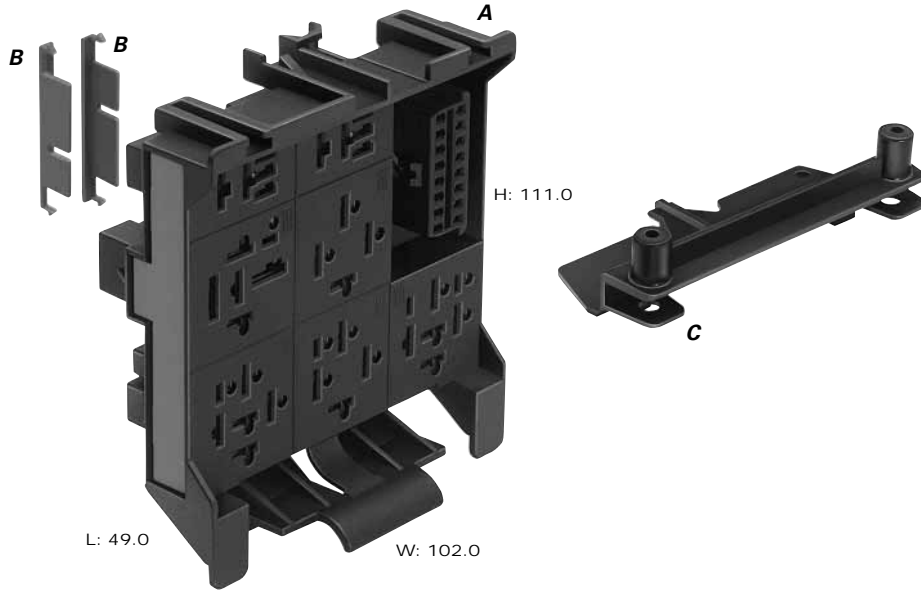
Traditional Electrical Centers feature a combination of different terminal cavities, as indicated by the Key.



NOTE: Specifications in this catalog are for general reference only and are subject to change without notice. To verify product information, please contact a Delphi representative.



Traditional



A. Part No: 10740486

Description:	Relay Block
Size:	49.0L x 111.0H x 102.0W
Color:	Black
Material:	PA6 10% GF 20% GB
Terminals:	See Page 7.7
Applications:	2 Mini-Relays, 4 Standard Relays, 1 Relay, OBD II

C. Part No: 10718038

Description:	Hinge
Color:	Black
Material:	PP

B. Part No: 10740487

Description:	TPA
Number req:	2
Color:	Gray
Material:	PA6 15% GF

SECTION NOTES:

- Terminals available from manufacturer.

KEY:

▣ 150 Metri-Pack	☆ 4.8 Faston
■ 280 Metri-Pack	★ 6.3 Faston
▲ 630 Metri-Pack	✪ 9.5 Faston

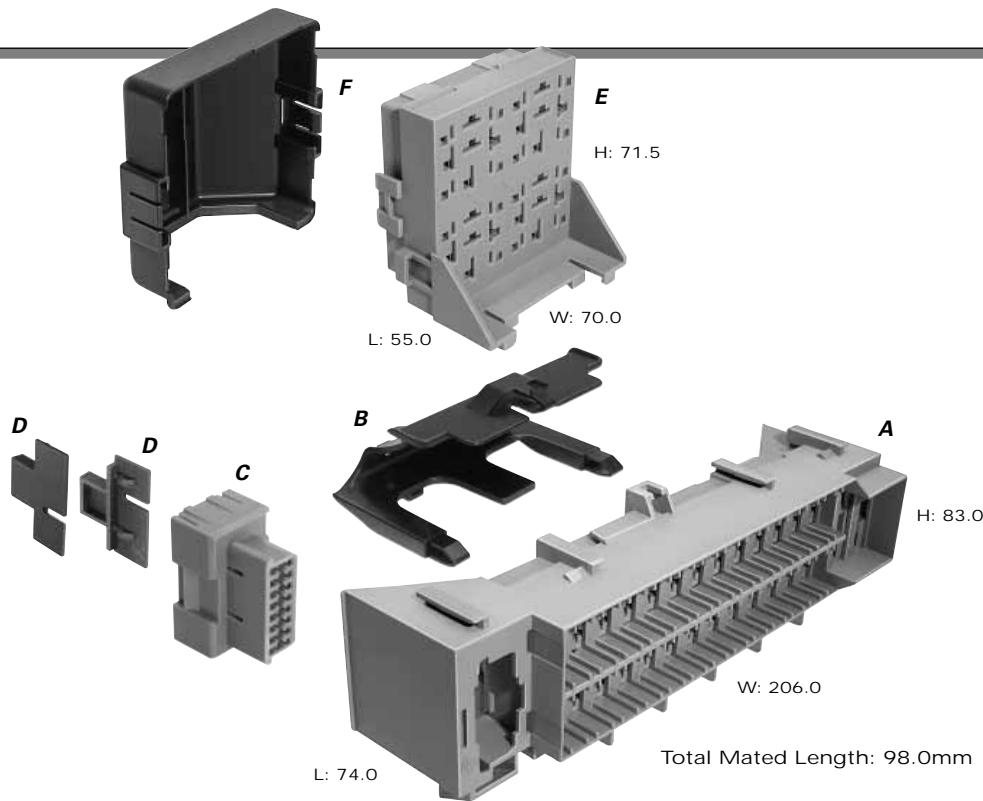
Traditional Electrical Centers feature a combination of different terminal cavities, as indicated by the Key.

TANGLISS

NOTE: Specifications in this catalog are for general reference only and are subject to change without notice. To verify product information, please contact a Delphi representative.



Traditional

**A. Part No: 10718620**

Description: Fuse Module
 Size: 74.0L x 83.0H x 206.0W
 Color: Gray
 Material: PA6 10% GF 20% GB
 Terminals: See Page 7.4
 Applications: 26 ATO® Fuses, 2 MAXI™ Fuses

B. Part No: 10720018

Description: Cover
 Color: Black
 Material: ABS

C. Part No: 15327645

Description: OBD II Connector 16F
 Color: Gray
 Material: PA6

D. Part No: 15327646

Description: TPA
 Number Req: 2
 Color: Black
 Material: PA6 15% GF

E. Part No: 10718621

Description: Relay Module
 Size: 55.0L x 71.5H x 70.0W
 Color: Gray
 Material: PA6 10% GF 20% GB
 Application: 4 Standard Relays

F. Part No: 10720017

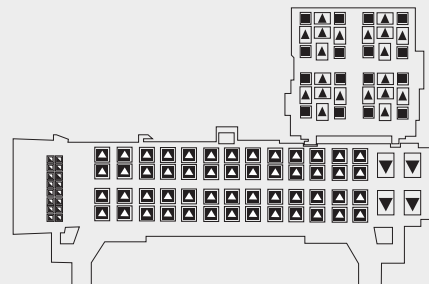
Description: Cover
 Color: Black
 Material: ABS

KEY:

- ▣ 150 Metri-Pack
- 280 Metri-Pack
- ▲ 630 Metri-Pack
- ▼ 800 Metri-Pack
- ▣ 6.3 VF



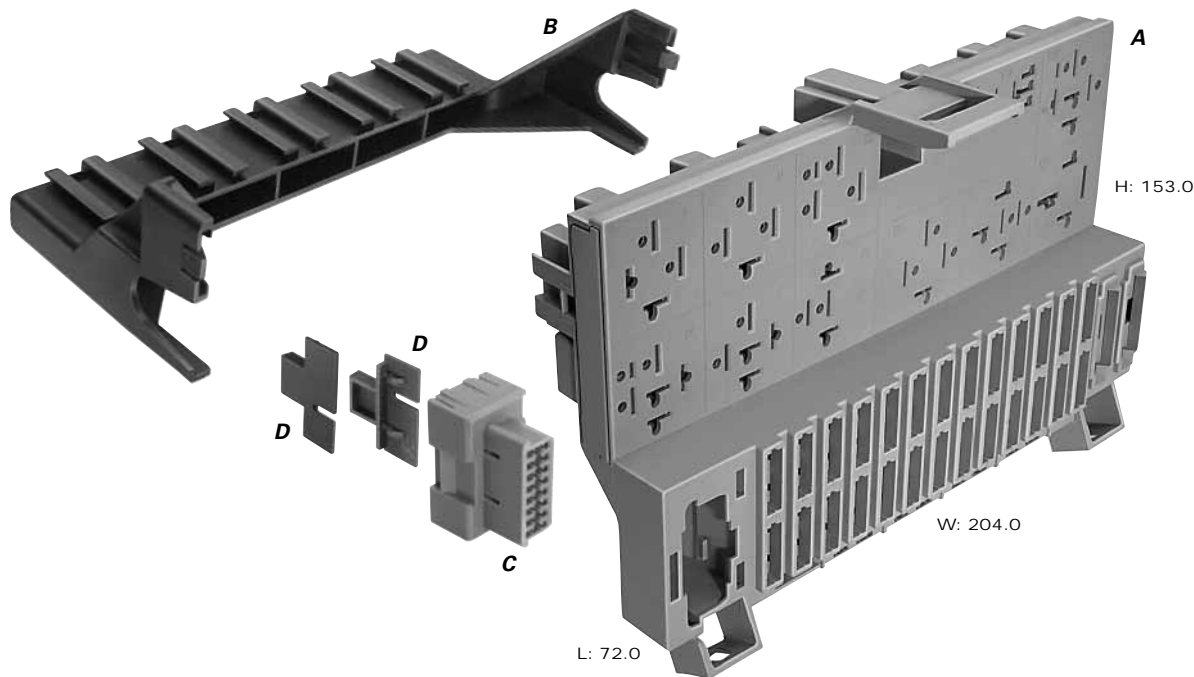
Traditional Electrical Centers feature a combination of different terminal cavities, as indicated by the Key.



NOTE: Specifications in this catalog are for general reference only and are subject to change without notice. To verify product information, please contact a Delphi representative.



Traditional



Total Mated Length: 148.0mm

A. Part No: 15344665

Description: Electrical Center
 Size: 72.0L x 153.0H x 204.0W
 Color: Gray
 Material: PA6 20% GF 10% GB
 Terminals: See Page 7.4
 Applications: 26 ATO® Fuses, 2 MAXI™ fuses,
 2 Mini-Relays, 9 Standard Relays, 1 Relay

B. Part No: 10719976 (Optional)

Description: Holder
 Color: Black
 Material: PA6 30% GF
 Applications: 5 Position Carrier Relay

C. Part No: 15327645

Description: OBD II Connector 16F
 Color: Gray
 Material: PA6

D. Part No: 15327646

Description: TPA
 Number Req: 2
 Color: Black
 Material: PA6 15% GF

SECTION NOTES:

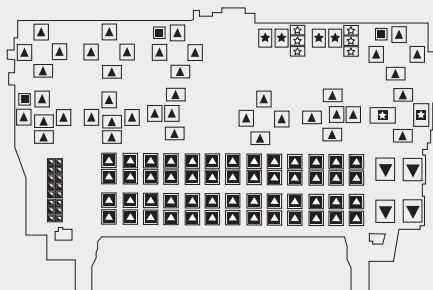
- Terminals available from manufacturer.

KEY:

TANGLESS

- | | |
|------------------|--------------|
| ■ 150 Metri-Pack | ▲ 6.3 VF |
| ■ 280 Metri-Pack | ☆ 4.8 Faston |
| ▲ 630 Metri-Pack | ★ 6.3 Faston |
| ▼ 800 Metri-Pack | ✱ 9.5 Faston |

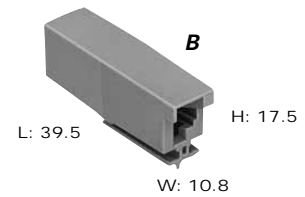
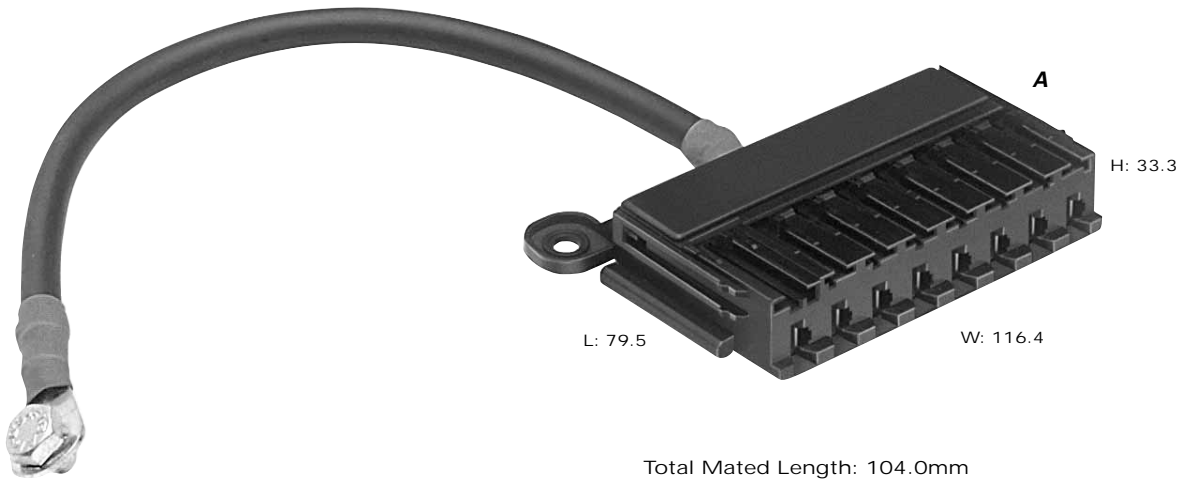
Traditional Electrical Centers feature a combination of different terminal cavities, as indicated by the Key.



NOTE: Specifications in this catalog are for general reference only and are subject to change without notice. To verify product information, please contact a Delphi representative.



Traditional



A. Part No: 15327622

Description:	Module Assembly 8F
Size:	79.5L x 33.3H x 116.4W
Color:	Black
Material:	PA66 HS IM

B. Part No: 15327626

Description:	Connector 1F
Size:	39.5L x 17.5H x 10.8W
Color:	Gray
Material:	PA66 HS IM
Terminals:	See Page 7.6
Application:	1 MAXI™ Fuse

NOTE: Specifications in this catalog are for general reference only and are subject to change without notice. To verify product information, please contact a Delphi representative.



Traditional

C. Part No: 15327625

Description:	Connector 1F
Size:	39.5L x 17.5H x 10.8W
Color:	Yellow
Material:	PA66 HS IM
Terminals:	See Page 7.6
Application:	1 MAXI™ Fuse

E. Part No: 15327628

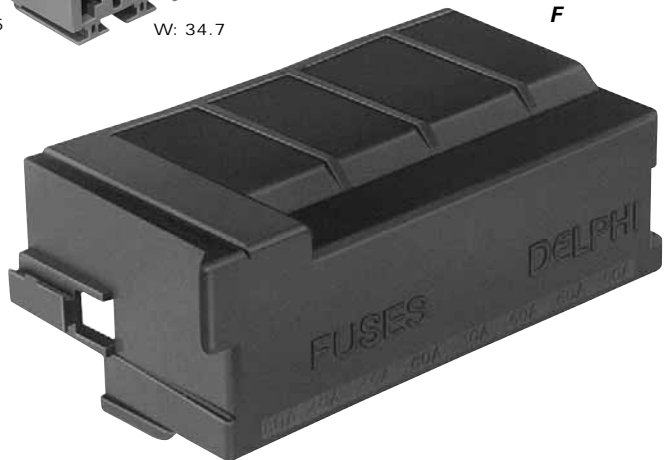
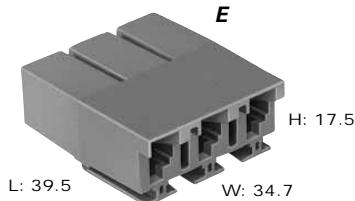
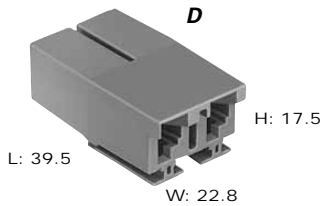
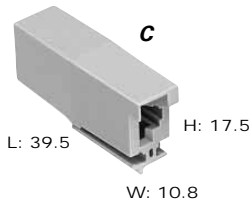
Description:	Connector 3F
Size:	39.5L x 17.5H x 34.7W
Color:	Blue
Material:	PA66 HS IM
Terminals:	See Page 7.6
Application:	3 MAXI™ Fuses

D. Part No: 15327627

Description:	Connector 2F
Size:	39.5L x 17.5H x 22.8W
Color:	Blue
Material:	PA66 HS IM
Terminals:	See Page 7.6
Application:	2 MAXI™ Fuses

F. Part No: 15327694

Description:	Cover
Color:	Black
Material:	PA66 HS 15% GF



NOTE: Specifications in this catalog are for general reference only and are subject to change without notice. To verify product information, please contact a Delphi representative.

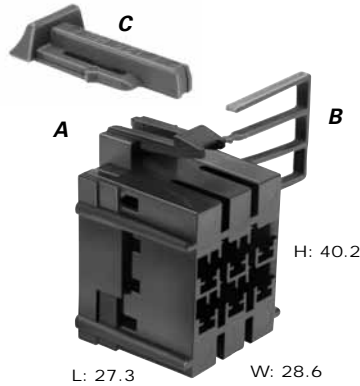


Device Connections

**A. Part No: 12110541† (Black)
12129715† (Md. Gray)**



Description:	280 Metri-Pack Connector 6F
Size:	27.3L x 40.2H x 28.6W
Material:	PA66 HS IM
Terminals:	See Page 7.5, 280 Metri-Pack Tangless
Application:	Relay



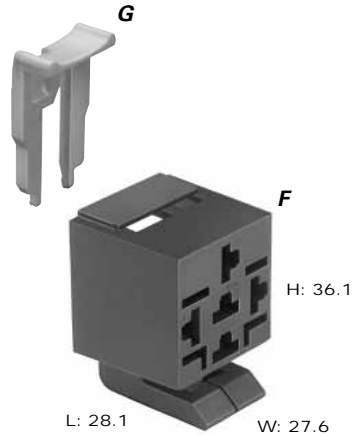
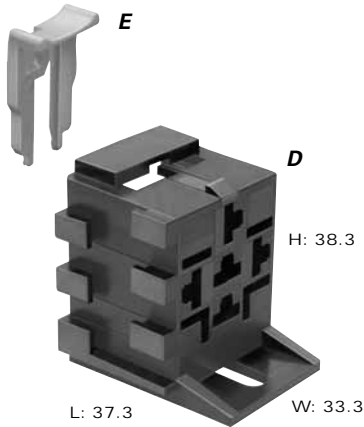
B. Part No: 12110542

Description:	Secondary Lock
Color:	Md. Gray
Material:	PA66 HS IM

C. Part No: 12052834

Description:	CPA
Color:	Green
Material:	PP

† Do not use thin stock female terminals with 1.0mm² or larger cable.



D. Part No: 12033871

Description:	630 Metri-Pack Connector 5F
Size:	37.3L x 38.3H x 33.3W
Color:	Black
Material:	PA6
Terminals:	See Page 7.5, 630 Metri-Pack Relay Series
Application:	Relay (ISO)
Note:	Interlocking multiple connectors form a Relay module.

F. Part No: 12034003

Description:	630 Metri-Pack Connector 5F
Size:	28.1L x 36.1H x 27.6W
Color:	Black
Material:	PA6
Terminals:	See Page 7.5, 630 Metri-Pack Relay Series
Application:	Relay (ISO)

E. Part No: 12033872

Description:	TPA
Color:	Natural
Material:	PA6

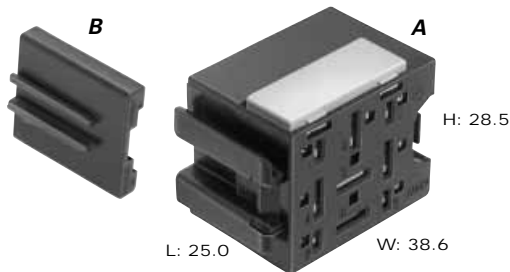
G. Part No: 12033872

Description:	TPA
Color:	Natural
Material:	PA6

NOTE: Specifications in this catalog are for general reference only and are subject to change without notice. To verify product information, please contact a Delphi representative.



Device Connections

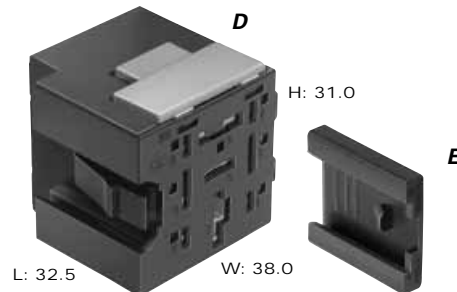


A. Part No: 12131317

Description: 280/630 Metri-Pack Mixed Connector 9F
 Size: 25.0L x 28.5H x 38.6W
 Color: Black
 Material: PA6 15% GF
 Terminals: See Page 7.5, 630 Metri-Pack, 280 MP Relay Series
 Application: Standard Relay Socket

B. Part No: 10719968 (Optional)

Description: Clip Adapter
 Color: Black
 Material: PA6

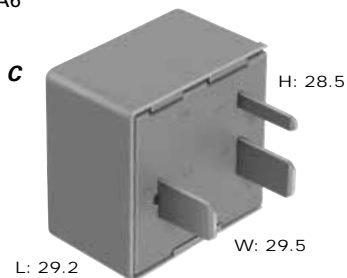


D. Part No: 12162998

Description: 280/630 M/P 9.5 Faston Connector Assembly 9F
 Size: 32.5L x 31.0H x 38.0W
 Color: Black
 Material: PA6 15% GF
 Terminals: See Page 7.5, 630 Metri-Pack, 280 MP Relay Series
 Application: Power Relay Socket

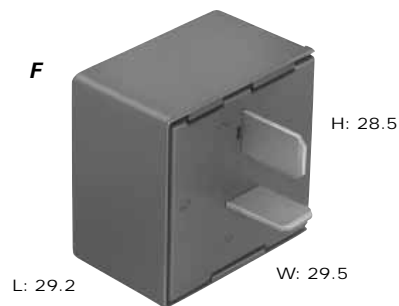
E. Part No: 10719968 (Optional)

Description: Clip Adapter
 Color: Black
 Material: PA6



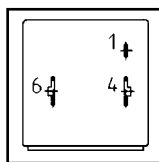
**C. Part No: 10740407 (Gray)
 10719332 (Blue)
 10740408 (Brown)
 10740410 (Black)**

Description: Standard Bridging Relay
 Size: 29.2L x 28.5H x 29.5W
 Blade Size: 2.8, 6.3mm
 Material: PA6 15% GF

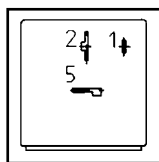


F. Part No: 10740409 (Green)

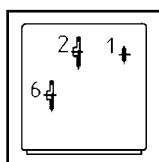
Description: Power Bridging Relay
 Size: 29.2L x 28.5H x 29.5W
 Blade Size: 9.5mm
 Material: PA6 15% GF



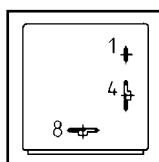
10740407



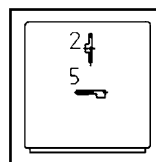
10719332



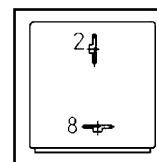
10740408



10740410



10720098

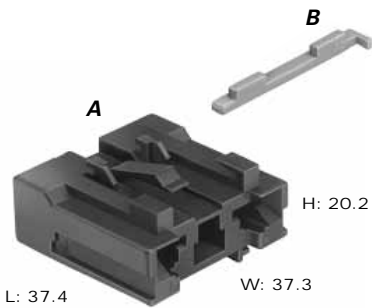


10740409

NOTE: Specifications in this catalog are for general reference only and are subject to change without notice. To verify product information, please contact a Delphi representative.



Device Connections

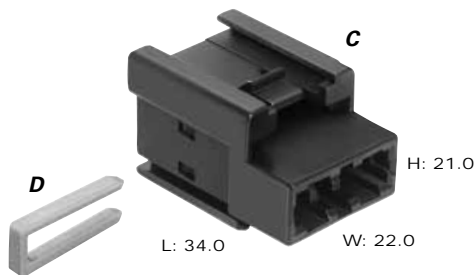


A. Part No: 12110057

Description:	800 MAXI™ Fuse Connector 2F
Size:	37.4L x 20.2H x 37.3W
Color:	Black
Material:	PA66
Terminals:	See Page 7.6, 800 MAXI™ Fuse
Application:	1 MAXI™ Fuse
Note:	Interlocking multiple connectors form a MAXI Fuse module.

B. Part No: 12110058

Description:	Secondary Lock
Color:	Yellow
Material:	PA66

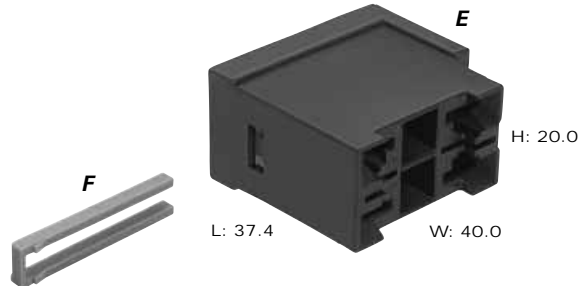


C. Part No: 12147079

Description:	ATO® Fuse Connector 2F
Size:	34.0L x 21.0H x 22.0W
Color:	Black
Material:	PA6
Terminals:	See Page 7.7, 800 MAXI™ Fuse,
Application:	1 ATO® Fuse

D. Part No: 12131359

Description:	Secondary Lock
Color:	Yellow
Material:	PA66 25% GF

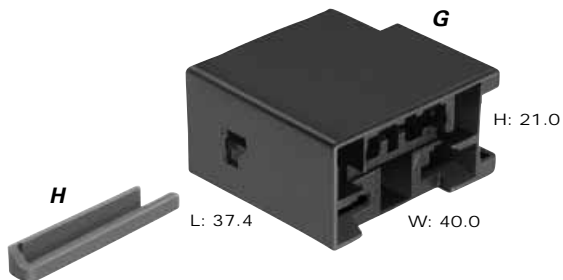


E. Part No: 15339818

Description:	800 MAXI™ Fuse Connector 4F
Size:	37.4L x 22.0H x 40.0W
Color:	Black
Material:	PA66
Terminals:	See Page 7.6, 800 MAXI™ Fuse
Application:	2 MAXI™ Fuses

F. Part No: 15337249

Description:	Secondary Lock
Color:	Gray
Material:	PA6 30% GF



G. Part No: 12158100

Description:	MAXI™/ATO Fuse Connector 4F
Size:	37.4L x 21.0H x 40.0W
Color:	Black
Material:	PA66
Terminals:	See Page 7.7, 800 MAXI™ Fuse,
Application:	1 MAXI™ Fuse, 1 ATO Fuse

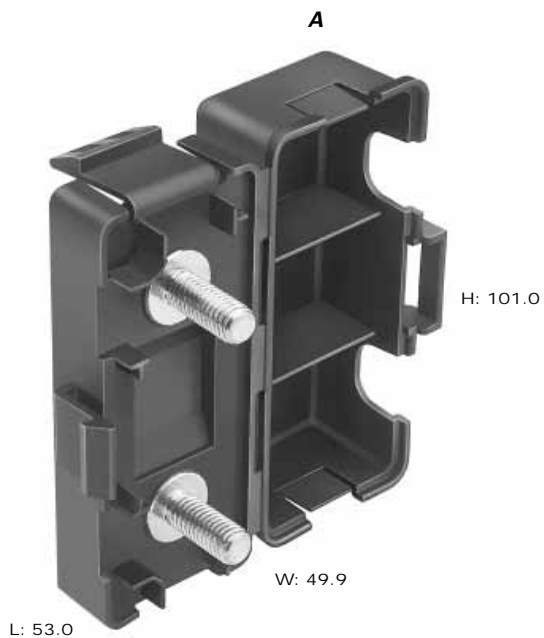
H. Part No: 12158101

Description:	Secondary Lock
Color:	Gray
Material:	PA6 30% GF

NOTE: Specifications in this catalog are for general reference only and are subject to change without notice. To verify product information, please contact a Delphi representative.



Device Connections



A. Part No: 15492654

Description:	Connector (MEGA® Fuse)
Size:	53.0L x 101.0H x 49.9W
Color:	Black
Material:	PP IM
Terminals:	See Page 7.6, M8 Ring
Application:	1 MEGA® Fuse (100 - 200 AMPS)
Note:	Bolt thread size M8 x 1.25.

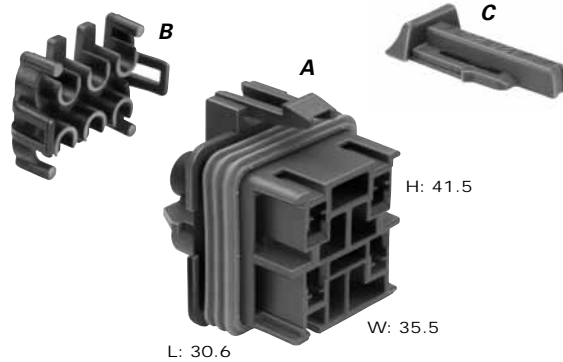
NOTE: Specifications in this catalog are for general reference only and are subject to change without notice. To verify product information, please contact a Delphi representative.



Device Connections

A. Part No: 12129716†

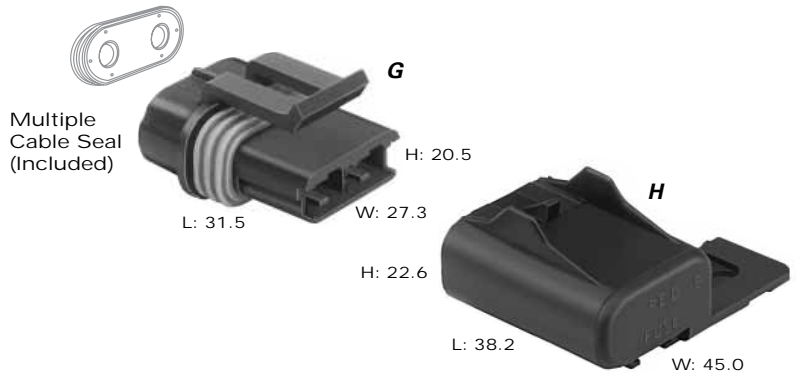
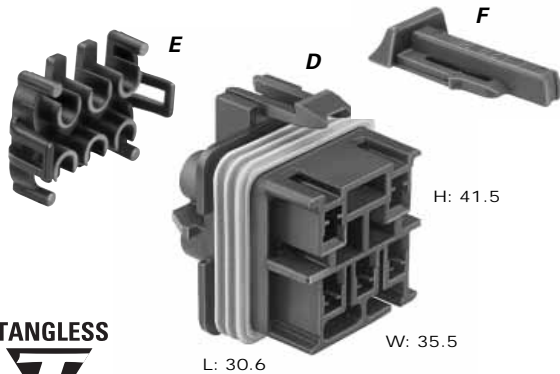
Description: 280 Metri-Pack Connector Assembly 4F
 Size: 30.6L x 41.5H x 35.5W
 Color: Md. Gray
 Material: PA66 HS IM
 Terminals: See Page 7.7, 280 Metri-Pack
 Tangless Sealed
 Seals/Plugs: See Page 7.7
 Application: Relay

TANGLESS**B. Part No: 12110540**

Description: TPA
 Color: Dk. Green
 Material: PA6

C. Part No: 12052834

Description: CPA
 Color: Green
 Material: PP

**TANGLESS****D. Part No: 12110539†**

Description: 280 Metri-Pack Connector Assembly 5F
 Size: 30.6L x 41.5H x 35.5W
 Color: Black
 Material: PA66 HS IM
 Terminals: See Page 7.7, 280 Metri-Pack
 Tangless Sealed
 Seals/Plugs: See Page 7.7
 Application: Relay

E. Part No: 12110540

Description: TPA
 Color: Dk. Green
 Material: PA6

F. Part No: 12052834

Description: CPA
 Color: Green
 Material: PP

G. Part No: 12085030 (Black/Lt. Orange Seal)

- 4.48-3.72 Cable O.D.
- 12033769 (Black/Green Seal)**
- 3.65-2.89 Cable O.D.
- 12103172 (Gray/Green Seal)**
- 3.65-2.89 Cable O.D.
- 12066681 (Black/Lt. Gray Seal)**
- 2.64-1.90 Cable O.D.

Description: 630 Pull-To-Seat Connector Assembly 2F
 Size: 31.5L x 20.5H x 27.3W
 Material: PA66 HS IM
 Terminals: See Page 7.7, 630 Metri-Pack Pull-To-Seat
 Application: 1 ATO® Fuse

H. Part No: 12033731 (Black)

- 12146104 (Red)**
- 12059426 (Black – Dual)**

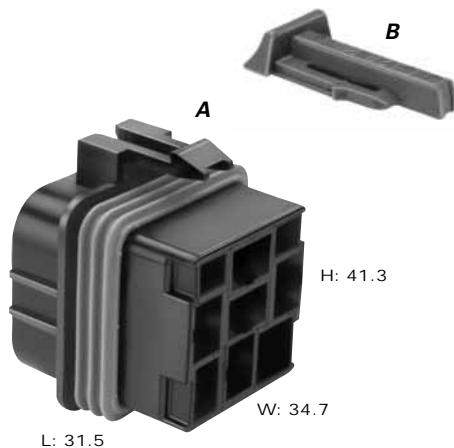
Description: Cover
 Size: 38.2L x 22.6H x 45.0W
 Size (Dual): 38.2L x 23.5H x 56.3W
 Material: PA66 HS IM

† Do not use thin stock female terminals with 1.0mm² or larger cable.

NOTE: Specifications in this catalog are for general reference only and are subject to change without notice. To verify product information, please contact a Delphi representative.



Device Connections

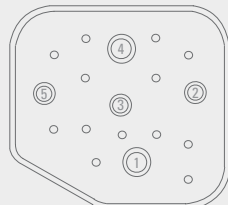


**A. Part No: 12092605
12065686
12065685**

Description:	630 Pull-to-Seat Connector Assembly
Size:	31.5L x 41.3H x 34.7W
Color:	Black
Material:	PA6
Terminals:	See Page 7.7, 630 Metri-Pack Pull-to-Seat
Plugs:	See Page 7.7
Application:	Relay (ISO)

B. Part No: 12052834

Description:	CPA
Color:	Green
Material:	PP



Multiple Cavity Cable Seal (Included)

Cable O.D. (mm)

Conn. Asm. Part Number	Cable Seal Color	Cable O.D. (mm)				
		Cavity 1	Cavity 2	Cavity 3	Cavity 4	Cavity 5
12092605	Orange	1.60-2.12	1.60-2.12	1.60-2.12	Blocked	1.60-2.12
12065686	Lt. Gray	3.49-3.88	2.03-2.44	Blocked	3.49-3.88	2.03-2.44
12065685	Green	3.49-3.88	2.03-2.44	2.03-2.44	3.49-3.88	2.03-2.44

NOTE: Specifications in this catalog are for general reference only and are subject to change without notice. To verify product information, please contact a Delphi representative.