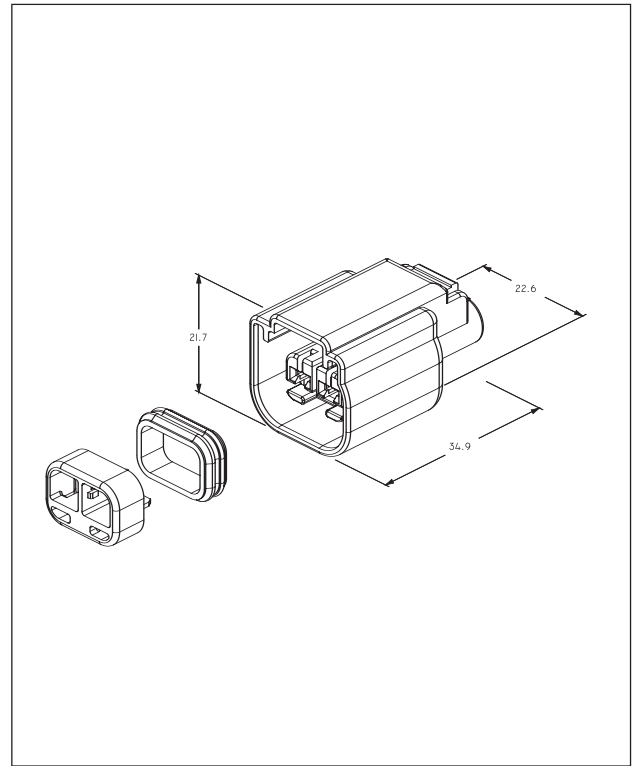


Part Number: E-5085 - 2.8mm 2-Way Female Connector



Assembly Configurations

SUBCOMPONENTS	DESCRIPTION	CONNECTOR ASSEMBLIES				
		E-5085-001				
E-5086-001	HOUSING (A-POL)	1				
E-5088-001	SPACER	1				
E-5087-001	INTERFACIAL SEAL	1				

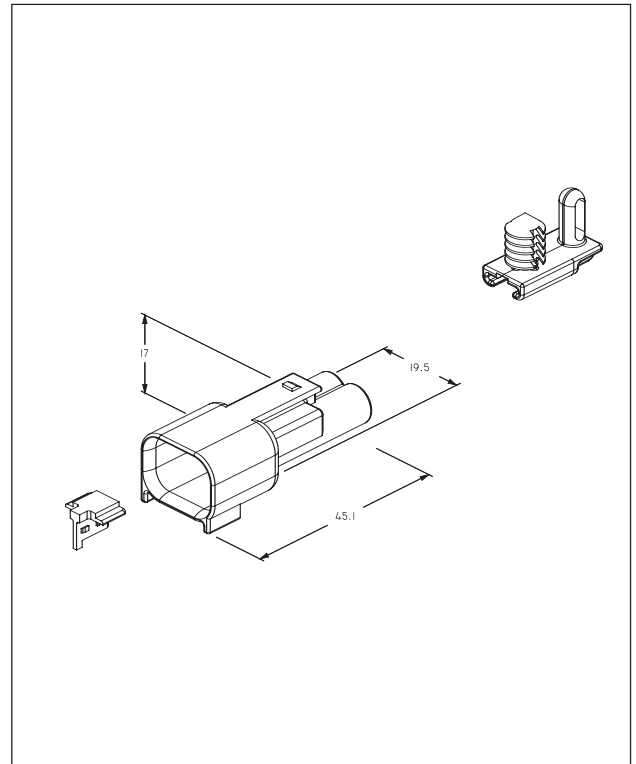
Reference Components

DESCRIPTION	QUANTITY	REFERENCE PAGE
Cable Seals	2	81
Terminals	2	81

Mating Components

PART NUMBER	MATING PART NUMBER	REFERENCE PAGE
E-5085-001	E-5089-001	29

Part Number: E-5089 - 2.8mm 2-Way Male Connector



Assembly Configurations

SUBCOMPONENTS	DESCRIPTION	CONNECTOR ASSEMBLIES				
		E-5089-001	E-5089-002	E-5089-003	E-5089-004	
E-5090-001	HOUSING (A-POL)	1	1	1	1	
E-5091-001	SPACER	1	1	1	1	
E-3388	RETAINER		1			
E-3878	RETAINER (ANTI-ROTATION)			1		
E-3886	RETAINER HVY. DTY.				1	

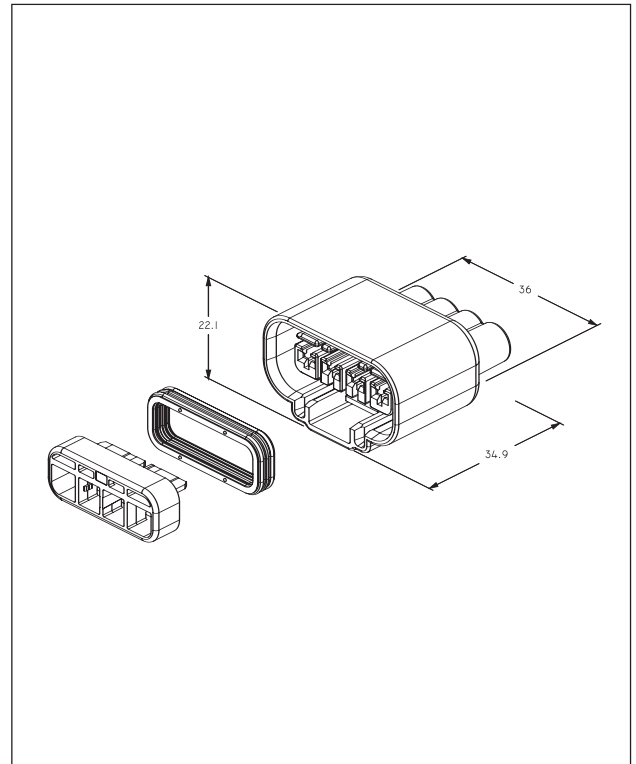
Reference Components

DESCRIPTION	QUANTITY	REFERENCE PAGE
Cable Seals	2	81
Terminals	2	81

Mating Components

PART NUMBER	MATING PART NUMBER	REFERENCE PAGE
E-5089-001	E-5085-001	28
E-5089-002	E-5085-001	28
E-5089-003	E-5085-001	28
E-5089-004	E-5085-001	28

Part Number: E-5661 - 2.8mm 4-Way Female Connector



Assembly Configurations

SUBCOMPONENTS	DESCRIPTION	CONNECTOR ASSEMBLIES			
		E-5661-001	E-5662-001		
E-5658-001	HOUSING (A-POL)	1	1		
E-5659	SPACER	1	1		
E-5660	INTERFACIAL SEAL	1			

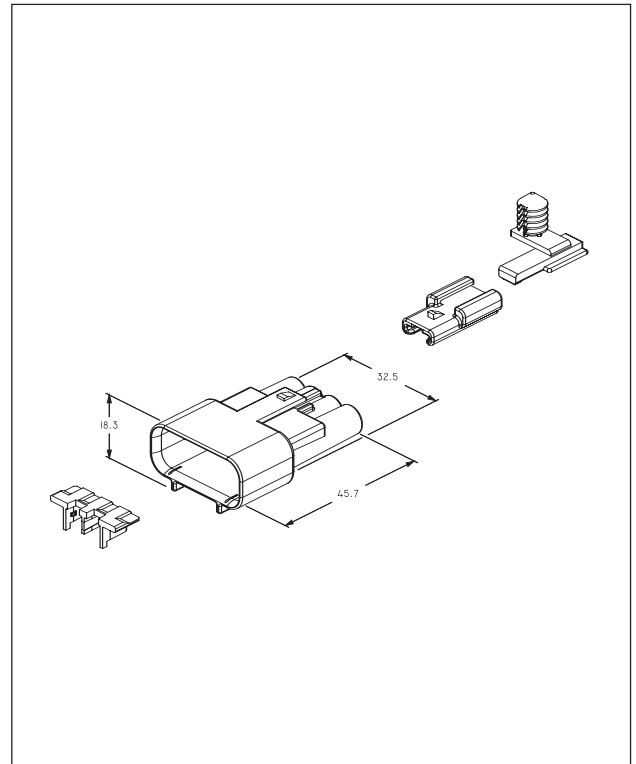
Reference Components

DESCRIPTION	QUANTITY	REFERENCE PAGE
Cable Seals	4	80
Terminals	4	80

Mating Components

PART NUMBER	MATING PART NUMBER	REFERENCE PAGE
E-5661-001	E-5665 (001-005)	31
E-5662-001	E-5665 (001-005)	31

Part Number: E-5665 - 2.8mm 4-Way Male Connector



Assembly Configurations

SUBCOMPONENTS	DESCRIPTION	CONNECTOR ASSEMBLIES				
		E-5665-001	E-5665-002	E-5665-003	E-5665-004	E-5665-005
E-5663-001	HOUSING (A-POL)	1	1	1	1	1
E-5664	SPACER	1	1	1	1	1
E-3388-001	RETAINER		1			
E-3878-001	RETAINER (ANTI-ROTATION)			1		
E-5941	RETAINER - ADAPTER				1	1
E-793	RETAINER OFFSET					1

Reference Components

DESCRIPTION	QUANTITY	REFERENCE PAGE
Cable Seals	4	80
Terminals	4	80

Mating Components

PART NUMBER	MATING PART NUMBER	REFERENCE PAGE
E-5665 (001-005)	5661-001	30
E-5665 (001-005)	5662-001	-

Part Number: E-5665

Terminal Selection		
MANUFACTURER	MANUFACTURER PART NUMBER	CABLE SIZE
YAZAKI	7114-4110-02	20-22 AWG
YAZAKI	7114-4150-02	18-20 AWG
YAZAKI	7114-4151-02	16-18 AWG
YAZAKI	7114-4111-02	16-18 AWG
YAZAKI	7114-4152-02	14-16 AWG
YAZAKI	7114-4112-02	14-16 AWG
YAZAKI	7114-4113-02	10-12 AWG

Cable Seal Selection		
MANUFACTURER	MANUFACTURER PART NUMBER	CABLE SIZE
YAZAKI	7158-3111-60	18-20 AWG
YAZAKI	7158-3112-70	16-18 AWG
YAZAKI	7158-3113-40	14-16 AWG
YAZAKI	7158-3114-90	PLUG

Part Number: E-5661

Terminal Selection		
MANUFACTURER	MANUFACTURER PART NUMBER	CABLE SIZE
YAZAKI	7116-4110-02	20-22 AWG
YAZAKI	7116-4150-02	18-20 AWG
YAZAKI	7116-4151-02	16-18 AWG
YAZAKI	7116-4152-02	14-16 AWG
YAZAKI	7116-4111-02	16-18 AWG
YAZAKI	7116-4112-02	14-16 AWG
YAZAKI	7116-4113-02	10-12 AWG
YAZAKI	7116-4153-02	12 AWG

Cable Seal Selection		
MANUFACTURER	MANUFACTURER PART NUMBER	CABLE SIZE
YAZAKI	7158-3111-60	18-20 AWG
YAZAKI	7158-3112-70	16-18 AWG
YAZAKI	7158-3113-40	14-16 AWG
YAZAKI	7158-3110-40	12 AWG
YAZAKI	7158-3114-90	PLUG

Part Number: E-5089

Terminal Selection		
MANUFACTURER	MANUFACTURER PART NUMBER	CABLE SIZE
YAZAKI	7114-4150-02	18-20 AWG
YAZAKI	7114-4151-02	16-18 AWG
YAZAKI	7114-4152-02	14-16 AWG

Cable Seal Selection		
MANUFACTURER	MANUFACTURER PART NUMBER	CABLE SIZE
YAZAKI	7158-3111-60	18-20 AWG
YAZAKI	7158-3112-70	16-18 AWG
YAZAKI	7158-3113-40	14-16 AWG
YAZAKI	7158-3114-90	PLUG

Part Number: E-5085

Terminal Selection		
MANUFACTURER	MANUFACTURER PART NUMBER	CABLE SIZE
AMP	1326032-1	22 AWG
AMP	1326032-2	20 AWG
AMP	1326032-3	18 AWG
AMP	1326032-4	16 AWG
AMP	1326032-5	14 AWG
AMP	1326032-6	2 AWG
YAZAKI	7116-4150-02	18-20 AWG
YAZAKI	7116-4151-02	16-18 AWG
YAZAKI	7116-4152-02	14-16 AWG
YAZAKI	7116-4153-02	12 AWG

Cable Seal Selection		
MANUFACTURER	MANUFACTURER PART NUMBER	CABLE SIZE
YAZAKI	7158-3111-60	18-22 AWG
YAZAKI	7158-3112-70	16-18 AWG
YAZAKI	7158-3113-40	14-16 AWG
YAZAKI	7158-3110-40	12 AWG
YAZAKI	7158-3114-90	PLUG