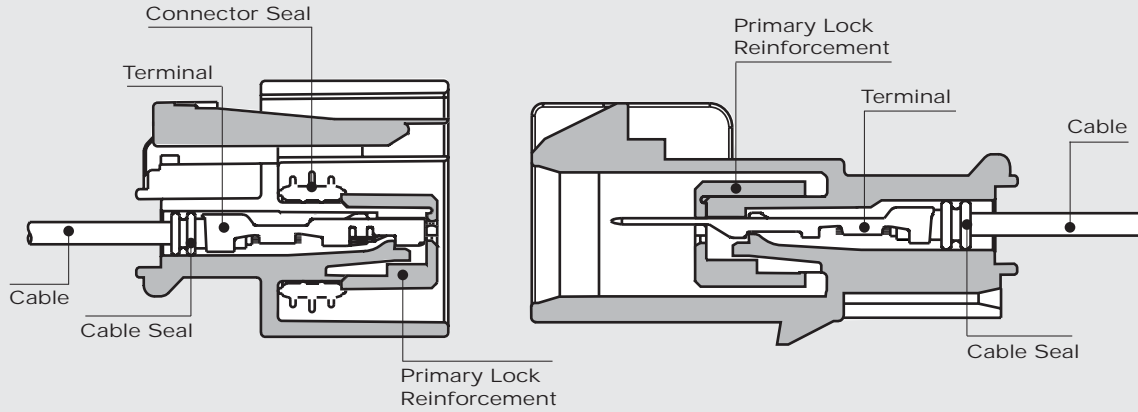




150

Cross Sectional View



Female Connector Assembly

Male Connector Assembly

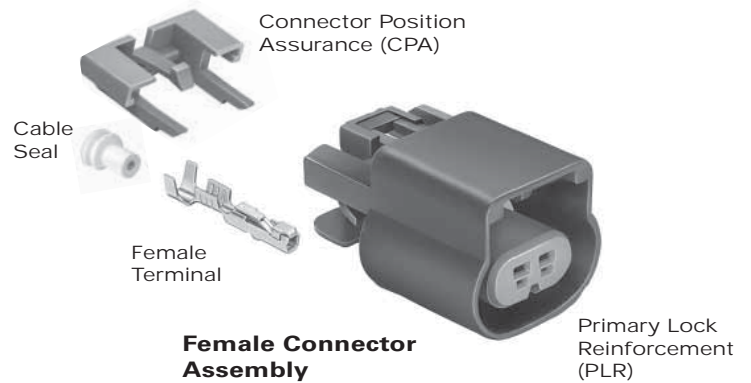
GT 150 Female Terminals Sealed			
Part #	Cable Range (mm ²)	Material	Plating
12191818	0.50-0.35	Tin Brass	Tin
12191819	1.00-0.75	Tin Brass	Tin

GT 150 Cable Seals				
Reel Part #	Loose Part #	Cable Diameter	Material	Color
12191152	15366021	1.20-1.90	Silicone	White
12191153	15366060	1.86-2.40	Silicone	Blue

GT 150 Female Connector Assemblies Sealed USCAR Footprint			
USCAR # *	Delphi Part #	Color	Material
150-S-002-1-A01	15497399	Black	PBT 20% GF
150-S-002-1-A02	13542790	Natural	PBT 20% GF
150-S-002-1-A04	15355317	Black	PBT 20% GF
150-S-003-1-A01	13511131	Black	PBT 20% GF
150-S-003-1-A02	13511134	Black	PBT 20% GF
150-S-003-1-A04	15355370	Black	PA6 10% GF & 20% GB
150-S-003-2-A04	13512092	Black	PBT 20% GF
150-S-004-1-A01	15466325	Black	PBT 20% GF
150-S-004-1-A02	15355331	Black	PBT 20% GF
150-S-005-1-A02	15326389 †	Black	PA66 HS IM
150-S-006-1-A02	15336013	Black	PBT 20% GF
150-S-006-2-A01	15460171	Black	PBT 20% GF

*Other USCAR indexes are also available.

† Applications mating to EGR valves may require gold plated female terminals.



Female Connector Assembly

GT 150 Female Connector Assemblies Sealed			
# Cavities	Connector	Color	Material
2	13510085	Black	PBT 20% GF
3	13519047	Black	PBT 20% GF
4	15487756	Black	PBT 20% GF
5	13519051	Black	PBT 20% GF
6	15397577	Black	PBT 20% GF
8	15326835	Black	PA6 10% GF & 20% GB
10	15326842	Black	PA6 10% GF & 20% GB
12	13530777	Black	PBT 20% GF
14	15326856	Black	PA6 10% GF & 20% GB
16	15326863	Black	PA6 10% GF & 20% GB

Primary Lock Reinforcement (PLR) and Connector Seals are included in the Connector Assemblies listed in this section.

NOTE: Specifications in this catalog are for general reference only and are subject to change without notice. To verify product information, please contact a Delphi representative.

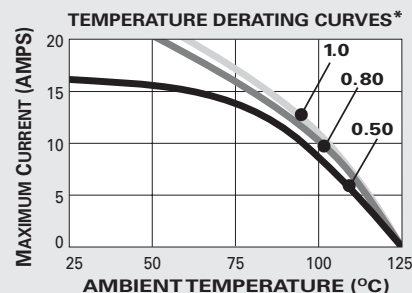
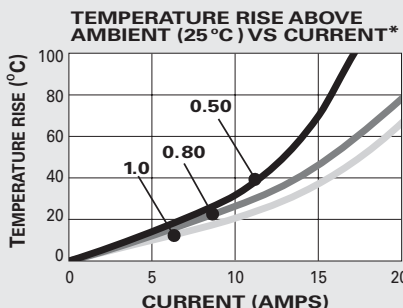


150

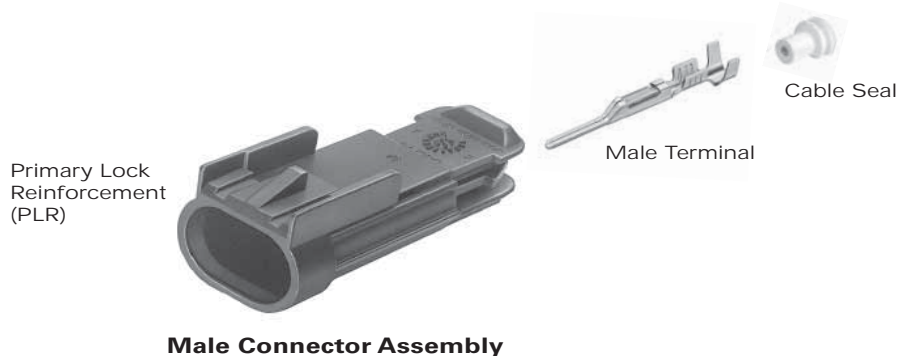
Sealed System Application Information

GT 150 Series Terminals – Tin Plated

- CABLE RANGE (mm²): 0.35-1.0
- CURRENT RANGE (AMPS): 0-15
- TEMP RANGE °C: -40 to 125
- RESISTANCE: <10mΩ@20mV
- VOLTAGE DROP: <10.0mV/amp
- CENTERLINE SPACING (mm): 4.5
- BLADE WIDTH (mm): 1.5



*The test data are based on single circuits in free space and were generated using a "Lumped Resistance" model. This model does not account for all of the variables that would be present in an actual application. For actual product performance, contact your regional support representative.



GT 150 Male Connector Assemblies Sealed			
# Cavities	Connector	Color	Material
2	13510099	Black	PBT 20% GF
3	13519049	Black	PBT 20% GF
4	15487755	Black	PBT 20% GF
5	13519053	Black	PBT 20% GF
6	15397579	Black	PBT 20% GF
8	15326840	Black	PA6 10% GF & 20% GB
10	15326847	Black	PA6 10% GF & 20% GB
12	15326854	Black	PA6 10% GF & 20% GB
14	15326861	Black	PA6 10% GF & 20% GB
16	15326868	Black	PA6 10% GF & 20% GB

Primary Lock Reinforcement (PLR) is included in the Connector Assemblies listed in this section.

GT 150 Male Terminals Sealed			
Part #	Cable Range (mm ²)	Material	Plating
15326268	0.50-0.35	Tin Brass	Tin
15326269	1.00-0.75	Tin Brass	Tin



GT 150 Cavity Plug*			
Part #	Cavity Diameter	Material	Color
15305171	4.0mm	Silicone	Green

* Cavity plugs seal unused female and male cavities.

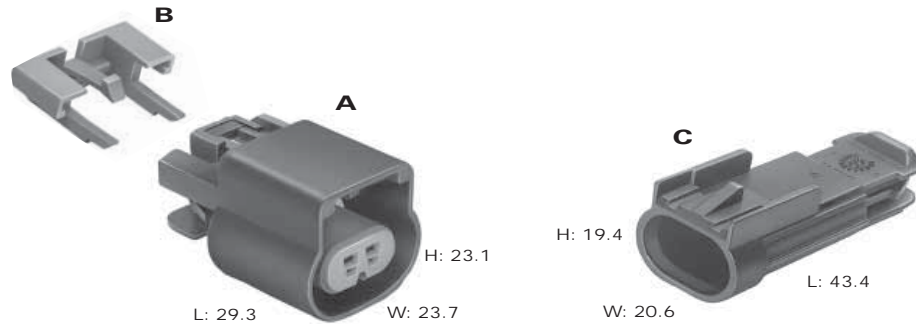
SECTION NOTES:

- Due to rigid tolerances of connector cavities, it is critical to meet all crimp dimensions as specified.

NOTE: Specifications in this catalog are for general reference only and are subject to change without notice. To verify product information, please contact a Delphi representative.



150



Total Mated Length: 56.7mm

A. Part No: 13510085

Description: Connector Assembly 2F
 Size: 29.3L x 23.1H x 23.7W
 Color: Black
 Material: PBT 20% GF
 Terminals: See Page 1.6
 Seals/Plugs: See Page 1.6, 1.7

Part No: 13519047

Description: Connector Assembly 3F
 Size: 29.3L x 23.1H x 28.2W
 Color: Black
 Material: PBT 20% GF
 Terminals: See Page 1.6
 Seals/Plugs: See Page 1.6, 1.7

Part No: 15487756

Description: Connector Assembly 4F
 Size: 29.3L x 23.1H x 32.7W
 Color: Black
 Material: PBT 20% GF
 Terminals: See Page 1.6
 Seals/Plugs: See Page 1.6, 1.7

Part No: 13519051

Description: Connector Assembly 5F
 Size: 29.3L x 23.1H x 37.2W
 Color: Black
 Material: PBT 20% GF
 Terminals: See Page 1.6
 Seals/Plugs: See Page 1.6, 1.7

Part No: 15397577

Description: Connector Assembly 6F
 Size: 29.3L x 23.1H x 41.7W
 Color: Black
 Material: PBT 20% GF
 Terminals: See Page 1.6
 Seals/Plugs: See Page 1.6, 1.7

B. Part No: 15317832

Description: CPA
 Color: Gray
 Material: PA6 10% GF & 20% GB

C. Part No: 13510099

Description: Connector Assembly 2M
 Size: 43.4L x 19.4H x 20.6W
 Color: Black
 Material: PBT 20% GF
 Terminals: See Page 1.7
 Seals/Plugs: See Page 1.6, 1.7

Part No: 13519049

Description: Connector Assembly 3M
 Size: 43.4L x 19.4H x 25.1W
 Color: Black
 Material: PBT 20% GF
 Terminals: See Page 1.7
 Seals/Plugs: See Page 1.6, 1.7

Part No: 15487755

Description: Connector Assembly 4M
 Size: 43.4L x 19.4H x 29.6W
 Color: Black
 Material: PBT 20% GF
 Terminals: See Page 1.7
 Seals/Plugs: See Page 1.6, 1.7

Part No: 13519053

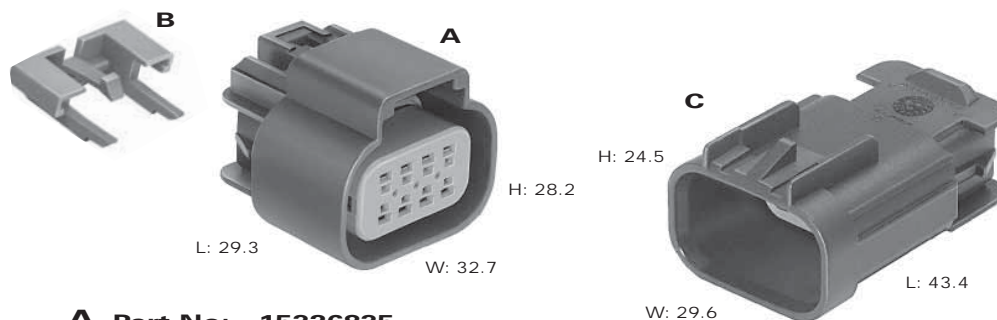
Description: Connector Assembly 5M
 Size: 43.4L x 19.4H x 34.1W
 Color: Black
 Material: PBT 20% GF
 Terminals: See Page 1.7
 Seals/Plugs: See Page 1.6, 1.7

Part No: 15397579

Description: Connector Assembly 6M
 Size: 43.4L x 19.4H x 38.6W
 Color: Black
 Material: PBT 20% GF
 Terminals: See Page 1.7
 Seals/Plugs: See Page 1.6, 1.7

NOTE: Specifications in this catalog are for general reference only and are subject to change without notice. To verify product information, please contact a Delphi representative.

150

**A. Part No: 15326835**

Description:	Connector Assembly 8F
Size:	29.3L x 28.2H x 32.7W
Color:	Black
Material:	PA6 10% GF & 20% GB
Terminals:	See Page 1.6
Seals/Plugs:	See Page 1.6, 1.7

Part No: 15326842

Description:	Connector Assembly 10F
Size:	29.3L x 28.2H x 37.2W
Color:	Black
Material:	PA6 10% GF & 20% GB
Terminals:	See Page 1.6
Seals/Plugs:	See Page 1.6, 1.7

Part No: 13530777

Description:	Connector Assembly 12F
Size:	29.3L x 28.2H x 41.7W
Color:	Black
Material:	PBT 20% GF
Terminals:	See Page 1.6
Seals/Plugs:	See Page 1.6, 1.7

Part No: 15326856

Description:	Connector Assembly 14F
Size:	29.3L x 28.2H x 46.2W
Color:	Black
Material:	PA6 10% GF & 20% GB
Terminals:	See Page 1.6
Seals/Plugs:	See Page 1.6, 1.7

Part No: 15326863

Description:	Connector Assembly 16F
Size:	29.3L x 28.2H x 50.7W
Color:	Black
Material:	PA6 10% GF & 20% GB
Terminals:	See Page 1.6
Seals/Plugs:	See Page 1.6, 1.7

B. Part No: 15317832

Description:	CPA
Color:	Gray
Material:	PA6 10% GF & 20% GB

H: 24.5

W: 29.6

Total Mated Length: 56.7mm

C. Part No: 15326840

Description:	Connector Assembly 8M
Size:	43.4L x 24.5H x 29.6W
Color:	Black
Material:	PA6 10% GF & 20% GB
Terminals:	See Page 1.7
Seals/Plugs:	See Page 1.6, 1.7

Part No: 15326847

Description:	Connector Assembly 10M
Size:	43.4L x 24.5H x 34.1W
Color:	Black
Material:	PA6 10% GF & 20% GB
Terminals:	See Page 1.7
Seals/Plugs:	See Page 1.6, 1.7

Part No: 15326854

Description:	Connector Assembly 12M
Size:	43.4L x 24.5H x 38.6W
Color:	Black
Material:	PA6 10% GF & 20% GB
Terminals:	See Page 1.7
Seals/Plugs:	See Page 1.6, 1.7

Part No: 15326861

Description:	Connector Assembly 14M
Size:	43.4L x 24.5H x 43.1W
Color:	Black
Material:	PA6 10% GF & 20% GB
Terminals:	See Page 1.7
Seals/Plugs:	See Page 1.6, 1.7

Part No: 15326868

Description:	Connector Assembly 16M
Size:	43.4L x 24.5H x 47.6W
Color:	Black
Material:	PA6 10% GF & 20% GB
Terminals:	See Page 1.7
Seals/Plugs:	See Page 1.6, 1.7

NOTE: Specifications in this catalog are for general reference only and are subject to change without notice. To verify product information, please contact a Delphi representative.