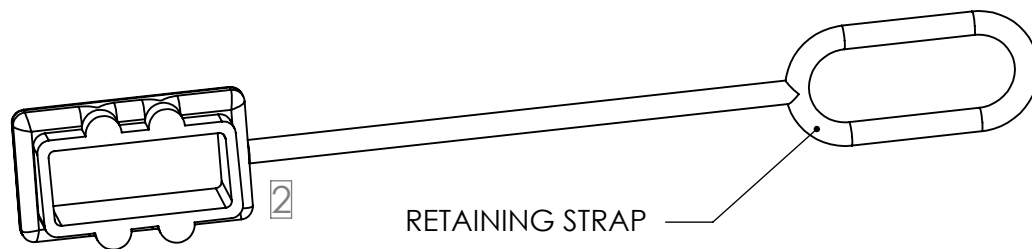
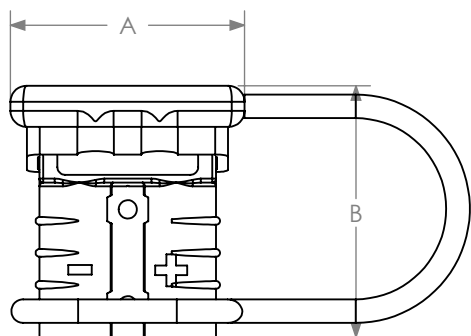


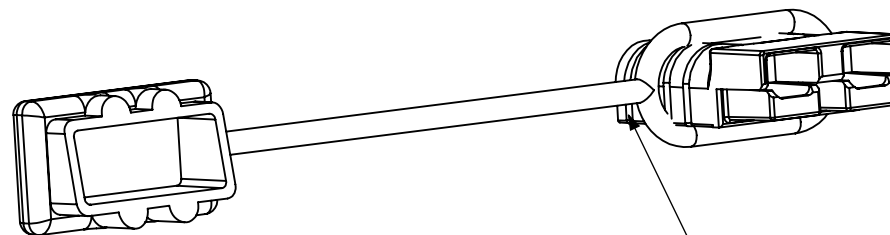
THE INFORMATION CONTAINED IN THIS DRAWING IS THE SOLE PROPERTY OF ANDERSON POWER PRODUCTS. ANY REPRODUCTION IN PART OR WHOLE WITHOUT THE WRITTEN PERMISSION OF ANDERSON POWER PRODUCTS IS PROHIBITED.

**Copyright 2012**

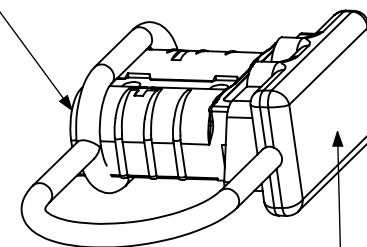
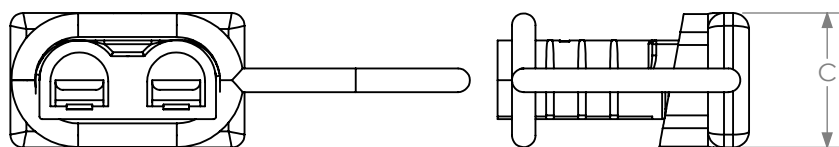
ANDERSON POWER PRODUCTS RESERVES THE RIGHT TO ALTER PRODUCT TYPES, THEIR TECHNICAL DATA, DIMENSION, STYLE AND ACCESSORIES WITHOUT PRIOR NOTIFICATION.



RETAINING STRAP



SLIDE RETAINING STRAP OVER CABLE END



SLIDE COVER OVER MATING END

CAT. NO.	SB SERIES	A		B		C	
		IN	MM	IN	MM	IN	MM
134G1	SB50	1.83	46.5	2.03	51.6	1.10	27.9
134G2	SB175	2.73	69.3	3.40	86.4	1.50	38.1
134G3	SB350	3.47	88.1	4.44	112.8	1.90	48.3

1

NOTES:

1. CONNECTOR SOLD SEPARATELY
2. DUST COVERS DO NOT PROVIDE A HERMETIC SEAL
3. MAY BE USED WITH CABLE CLAMPS

DIMENSIONS ARE IN:	MM [INCH]	<b>APPROVALS</b>		<b>ANDERSON POWER PRODUCTS</b> TITLE DUST COVERS FOR SB CONNECTORS
UNLESS OTHERWISE STATED		DRAWN	11/4/1999	
TOLERANCES:		CHECKED	1/31/2000	
DECIMALS (INCH) DECIMALS (MM) ANGLES		MFG APPRV	2/1/2000	
.XX ±.02 .X ±.5 ±2°		CHB	2/1/2000	
SURFACE FINISH:		QC APPRV	2/1/2000	
MACHINED 3.2µ [128µin] ✓		RPO	2/1/2000	
MOLDED 1.6µ [64µin] ✓		ENG APPRV	2/1/2000	
MATERIAL:		UFN		
ELASTOMER-RED				
FINISH:		SIZE	DWG NO.	REV.
AS MOLDED		A	114209S1	2
3rd ANGLE PROJECTION		SCALE	CADFILE	SHEET
		NONE	01136	1 OF 1
		-CAD GENERATED DRAWING- DO NOT MANUALLY UPDATE DO NOT SCALE		

2	ECRN-15195	TWE	7/3/2012
1	ECRN-14286 1.10 WAS 2.28	CMS	7/10/08
REV.	DESCRIPTION	APPRV	DATE

REVISIONS