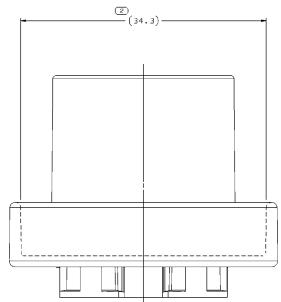
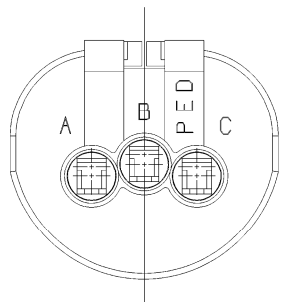
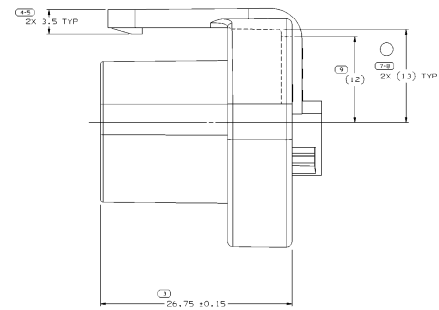
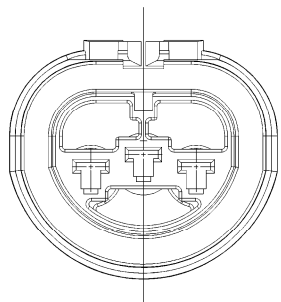
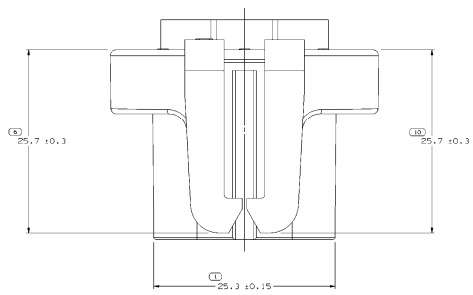


SYMBOL DEFINITION		MISSING NUMBERS		REV STATUS		REVISION HISTORY		DATE	BY	CHK	
THE NUMBER INSIDE THE SYMBOL CORRESPONDS TO THE NUMBER ON THE INSPECTION REPORT FOR THIS DRAWING/PART NUMBER	TOTAL NO. SYMBOLS CORRESPONDS TO DRAWING/PART NUMBER USED	8	10	2000X	R	01	-	-	-	-	
							ALL PARTS - REFER TO PD FORMATT 12048389 MATL SPEC AND PROCSH4 BUE. 12048377 MATL SPEC AND PROCSH46 MO DIV		199230	RM	JM
							2X (113) TYP WAS 2X (11) TYP		201905	RM	JM



- NOTES
- UNLESS OTHERWISE SPECIFIED ABOVE INDICATED DIMENSIONS ARE TO FACE OF VIEW SHOWN AND AUTOMATICALLY ROUNDED BY COMPUTER FOR INSPECTION (SEE MATH MODEL FOR PRECISE DIMENSIONS); FOR ALL OTHER DIMENSIONS NOT SHOWN BUT REQUIRED FOR TOOL BUILD, SEE MATH MODEL FOR PRECISE TOOL PATH DATA.
 - REFERENCE MATING COMPONENTS OR EQUIVALENT: GM PART NO. 16504049 HEADLAMP BULB (TRADE NO. 90041)
 - THIS PART ACCEPTS THE FOLLOWING COMPONENTS OR EQUIVALENT: CAVITIES TO ACCEPT 12077411 TERMINAL OR EQUIVALENT, CABLE SEAL 12010295 GASKET 12048370 TERMINAL POSITION ASSURANCE LOCK 12048371
 - SEE CABLE SEAL AND T.P.A. DRAWINGS FOR COMPATIBLE CABLE O.D. RANGE.
 - THIS PART IS NOT CONTROLLED FOR AUTOMATIC FEEDING.
 - LEVEL 11 BPHH COMPENSATE MARKS TO BE LOCATED ON ANY EXTERIOR SURFACE, PREFERABLY VISIBLE AT FINAL ASSEMBLY. OPTIONAL CONSTRUCTION FOR EXISTING TOOLING MAY BE "PED".



DATE	BY	CHK
12/29/17	RM	JM
12/04/16	RM	JM

DELPHI
DELPHI POWER ELECTRIC SYSTEMS
MORRISVILLE, NC

DATE	BY	CHK
12/29/17	RM	JM
12/04/16	RM	JM

DESCRIPTION: TAXI CONN 2 P M/P 280 SLD

DRAWING NUMBER: 12052373

DATE: 12/29/17

PART NO	REV	M/P	STATUS	MATERIAL SPECIFICATION AND COLOR	VOL	CM
12048389	01	AA		M 952025 PAGA HS IM GBA MO	8	139
12048389	01	AA		M 952025 PAGA HS IM BLU	8	139

DATE	BY	CHK
12/29/17	RM	JM
12/04/16	RM	JM