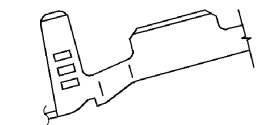
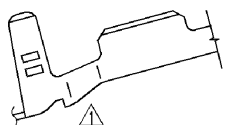


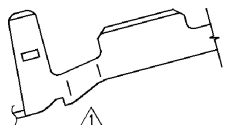
APPLICABLE WIRE SIZE MARK



△ (7116-4105-02)

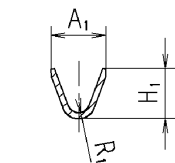


△ (7116-4103-02)

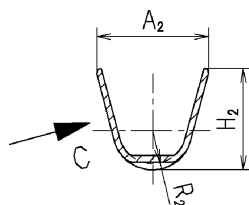


△ (7116-4102-02)

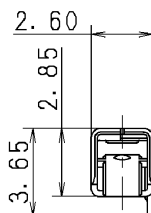
VIEW C



SEC. A-A



SEC. B-B



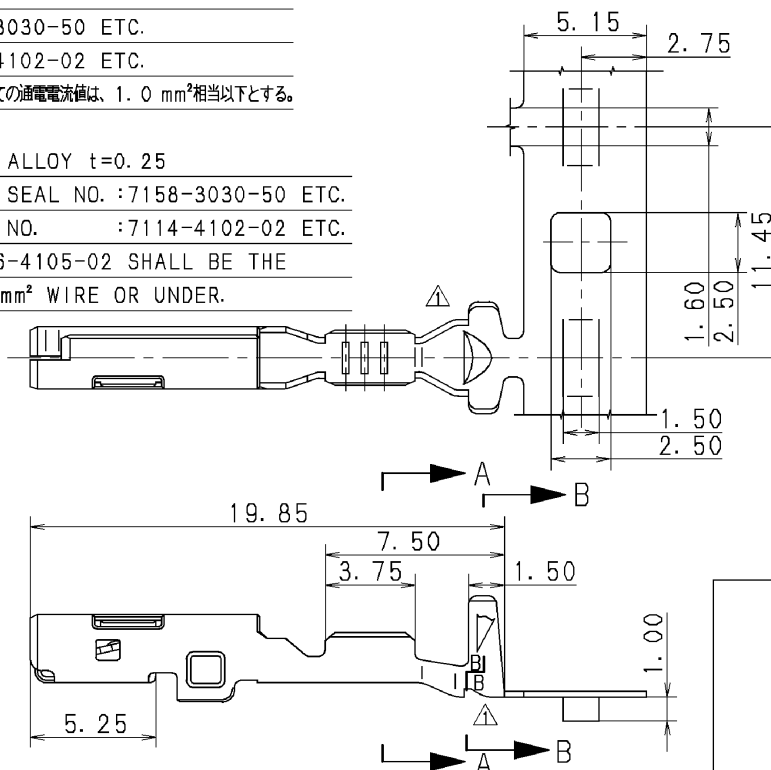
PART NO. AND CH. CODE	A <sub>1</sub>	A <sub>2</sub>	R <sub>1</sub>	R <sub>2</sub>	H <sub>1</sub>	H <sub>2</sub>	WIRE SIZE (mm <sup>2</sup> )
7116-4102-02	2.30	4.75	0.45		(2.30)	(4.25)	△ 0.3 ~ 0.5 EQUIVALENT
7116-4103-02	3.00	4.90	0.60	1.45	(2.95)	(4.40)	△ 0.6 ~ 1.25 EQUIVALENT
△ 7116-4105-02	△ 3.40	4.95	△ 0.80		△ (3.65)	(4.50)	△ 1.50~2.00 EQUIVALENT

注記

1. 材質:銅合金 t=0.25
2. 適用ゴム検品番 :7158-3030-50 ETC.
3. かん合端子品番 :7114-4102-02 ETC.
4. 7116-4105-02における通電電流値は、1.0 mm<sup>2</sup>相当以下とする。

NOTES

1. MATERIAL: COPPER ALLOY t=0.25
2. APPLICABLE WIRE SEAL NO. :7158-3030-50 ETC.
3. MATING TERMINAL NO. :7114-4102-02 ETC.
4. CURRENT FOR 7116-4105-02 SHALL BE THE CURRENT FOR 1.0 mm<sup>2</sup> WIRE OR UNDER.



ISSUE MARK

△	DATE	REVISION RECORD	NO.	CHKD
△	11.07.10	CORRECTION OF CLERICAL ERROR ETC.	C11-Z461	R. M
△	03.07.10	CHANGED WIRE SIZE & NOTE	C03-X450	K. O
△	99.06.18	CHANGED FORM, WIRE SIZE & ADDED NOTE	C99-L931	H. O
△	97.04.18	ADDED PARTS NO.	C97-6703	Y. T
△	96.04.16	ADDED NOTES	C96-L510	H. K
△	96.01.25	CHANGED FORM	C96-6050	Y. T
△	95.10.25	NEW	C95-6712	Y. T

GENERAL TOLERANCE							
	10MAX	50MAX	100MAX	250MAX	250OVR	ANGLE	ECCENT
A	±0.15	±0.2	±0.3	±0.5	±0.75	±30'	0.1
B	±0.2	±0.3	±0.55	±0.95	±1.4	±30'	0.1
(C)	±0.3	±0.5	±0.8	±1.4	±2	±30'	0.15
SPECIFIED							MASS

CUSTOMER		MATERIAL SPEC.		TREAT. & FIN.	
CUSTOMER PART NO.	CUSTOMER DWG NO.	SEE NOTES			
OFFICE	TRIAL PART NO.	NAME △ 1.5 SYSTEM SEALED FEMALE			
VENDOR		TERMINAL (TIN PLATED)			
VENDOR NO.		PART NO.	7116-4102-02 ETC.		
		CH. CODE	7116-4102-02 : R		
		DWG NO.	7116-4102-02 : R		
		SET DWG NO.			
		YAZAKI CORPORATION			
		APPROVED	CHECKED	CHECKED	DESIGN
		N. SUGIE			Y. TOMITA
		11.07.10			R. MAJERANO
					95.10.25
					11.07.10

GENERAL TOLERANCE											PART NO. AND CH. CODE		A <sub>1</sub>	A <sub>2</sub>	R <sub>1</sub>	R <sub>2</sub>	H <sub>1</sub>	H <sub>2</sub>	M	WIRE SIZE (mm <sup>2</sup> )			
A	±0.15	±0.2	±0.3	±0.5	±0.75	±0.2	±0.3	±0.5	±2.5	±3°	0.1	7116-4102-08.□	2.30	4.75	0.45	1.45	(2.30)	(4.25)	0.55	△0.3 ~ 0.5 EQUIVALENT			
B	±0.2	±0.3	±0.55	±0.95	±1.4					±3°	0.1	△(7B16-4102-08.□)											
C	±0.3	±0.5	±0.8	±1.4	±2					±3°	0.15	7116-4103-08.□	3.00	4.90	△0.60					(2.95)	(4.40)	0.70	

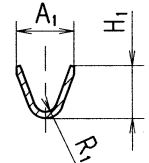
注記

1. 材質:銅合金 t=0.25
2. 適用ゴム栓品番 :7158-3030-50 ETC.
3. 嵌合相手端子品番:7114-4102-08 ETC.
- △4. ( ) 内品番は、エアバッグ (A/B) 回路及び特別管理回路に使用する時に適用すること。

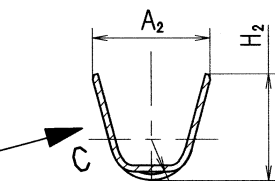
NOTES

1. MATERIAL: COPPER ALLOY t=0.25
2. APPLICABLE WIRE SEAL NO. :7158-3030-50 ETC.
3. MATING TERMINAL NO. : 7114-4102-08 ETC.
- △4. ( ) PART NO. IS USED FOR PARTS ASSOCIATED WITH A/B CIRCUITS OR OTHER SPECIFIED CIRCUIT.

APPLICABLE WIRE SIZE MARK



7116-4103-08

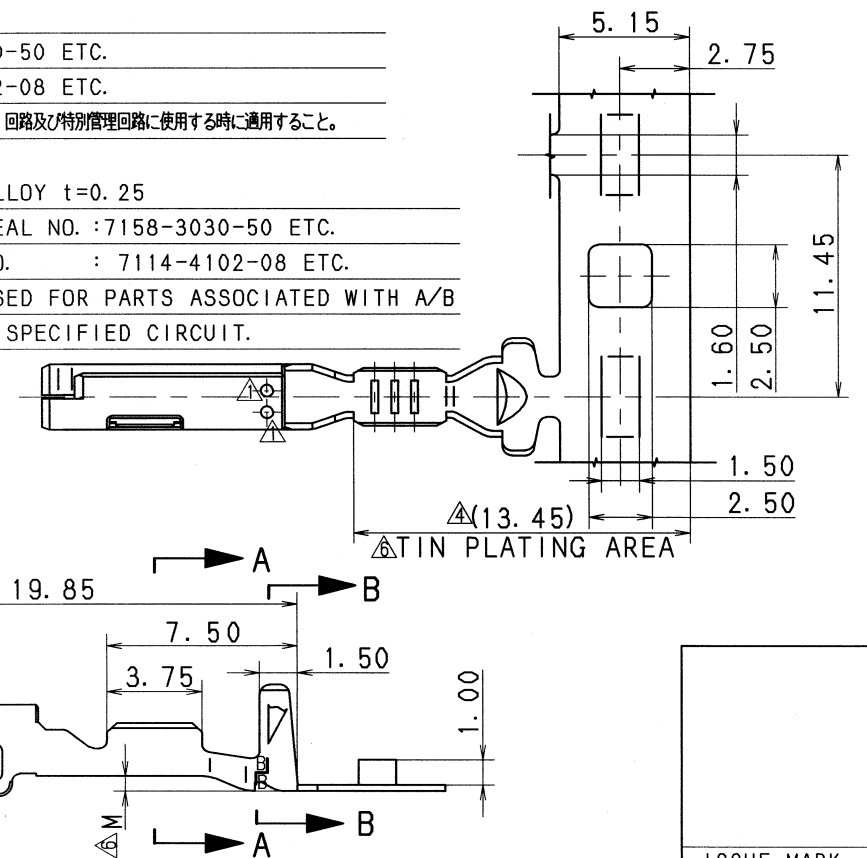


7116-4102-08  
△(7B16-4102-08)

VIEW C

SEC. A-A

SEC. B-B



△	05/12/14	DELETED SOLDER PLATING INSTRUCTION, ETC.	C05-ZG57	Y. W
△	05/02/09	ADDED A/B PART NO., ETC.	C05-Z309	K. S
△	03/09/19	ADDED DIMENSION. □	C03-X584	H. T
△	03/07/10	CHANGED WIRE SIZE	C03-X450	K. O
△	99/06/15	CORRECT ALL ERRORS. □	C99-L931	H. O
△	98/09/06	CHANGED FORM	C98-M209	Y. T
△	96/01/25	NEW	C96-6051	Y. T
LET	DATE	REVISION RECORD	NO.	CHKD

CUSTOMER		MATL. SPEC.	SEE NOTES	TREAT. & FIN.
CUSTOMER PART NO.		CUSTOMER DWG NO.		
OFFICE		TRIAL PART NO.		
VENDOR		NAME 1.5 SYSTEM SEALED CONNECTOR		
VENDOR NO.		FEMALE TERMINAL (GOLD PLATED)		

GENERAL TOLERANCE											DWG TYPE	DWG SOURCE	DWG DATE	UNIT	SCL	ANGLE	PART NO.
A	±0.15	±0.2	±0.3	±0.5	±0.75	±30'	0.1	R	NEW	96/01/25	mm	5:1	3	7116-4102-08 ETC.			
B	±0.2	±0.3	±0.55	±0.95	±1.4	±30'	0.1	APPROVED	CHECKED	CHECKED	DESIGN	DRAWN	7116-4102-08:R				
C	±0.3	±0.5	±0.8	±1.4	±2	±30'	0.15				Y. TOMITA	O. DAR	SET DWG NO.				
SPECIFIED							MASS							YAZAKI CORPORATION			
							g										

