

1

2

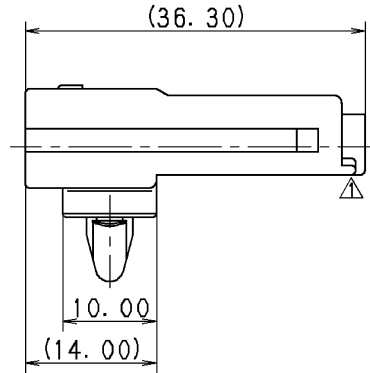
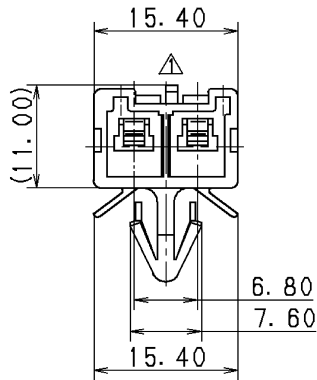
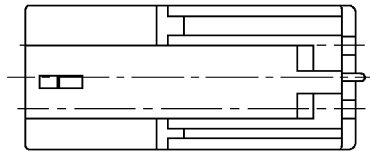
3

B

B

A

A

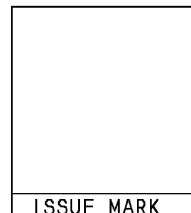


注記

- 1. 適用端子品番: 7114-1230  
7114-1231
- 2. かん合相手品番: 7123-1923-30
- △ 3. 適用リヤホルダ品番: 7157-6822
- 4. 本製品の装着相手/パネルは下記する。  
パネル厚 1.2t<sup>+0.0</sup><sub>-0.4</sub>  
パネル径 φ5.4<sup>+0.2</sup><sub>-0.4</sub>

△ NOTES

- 1. APPLICABLE TERMINAL NO. : 7114-1230  
7114-1231
- 2. MATING PART NO. : 7123-1923-30
- △ 3. APPLICABLE REAR HOLDER NO. : 7157-6822
- 4. APPLICABLE PANEL  
PANEL HOLE DIAMETER 1.2t<sup>+0.0</sup><sub>-0.4</sub>  
PANEL THICKNESS φ5.4<sup>+0.2</sup><sub>-0.4</sub>



△	11.01.21	CHANGED PART NAME	C11-ZA38	J. G						ISSUE MARK					
△	01.06.15	ELIMINATE REAR HOLDER COLOR NO.	C01-X575	H. Y	CUSTOMER					MATL. SPEC.	TREAT. & FIN.				
△	99.04.23	ADDED REAR HOLDER NO.	C99-L601	O. S	CUSTOMER PART NO.					PA66 (BLACK)					
△	89.11.29	CHANGED FORM & RENEW	C89-M121	Y. Y	CUSTOMER DWG NO.					NAME △ T TYPE HOUSING 2P					
△	85.04.22	NEW	C85-0544	T. M	OFFICE					MALE (B) - F					
LET	DATE	REVISION RECORD	NO.	CHKD	VENDOR					VENDOR NO.					
GENERAL TOLERANCE					DWG TYPE	DWG SOURCE	DWG DATE	UNIT	SCL	ANGLE	PART NO.	7122-1924-30			
A	±0.15	±0.2	±0.3	±0.5	±0.75	±30'	0.1	R	NEW	85.04.23	mm	2:1	3	CH. CODE	7122-1924-30
B	±0.2	±0.3	±0.55	±0.95	±1.4	±30'	0.1	APPROVED	CHECKED	CHECKED	DESIGN	DRAWN	DWG NO.	7122-1924-30:R	SET DWG NO.
©	±0.3	±0.5	±0.8	±1.4	±2	±30'	0.15	S. MIZUSE		R. DE GUZMAN	T. MASUDA	J. GAMBOA	YAZAKI CORPORATION		
SPECIFIED					MASS	11.01.21		11.01.21	85.04.23	11.01.21					

1

2

3

