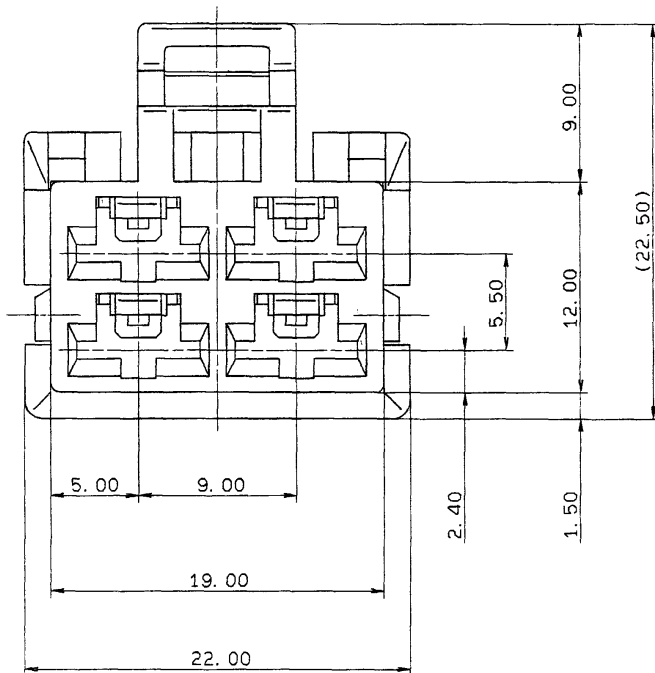
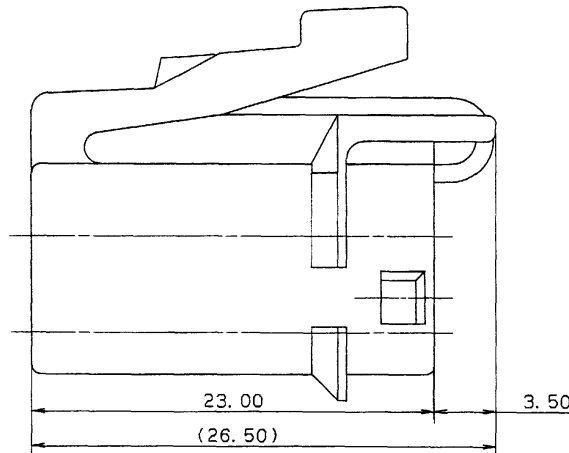
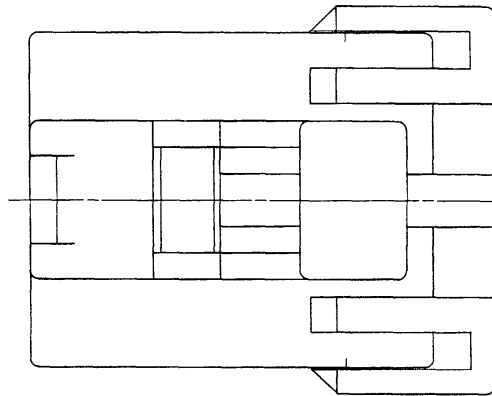


MARK	PART NO.	COLOR
M04FW	7123-6040	NATURAL
M04FW-GY	7123-6040-40	GRAY

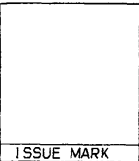


注記

- 1) 嵌合相手品番: 7122-6040, 7122-6040-40
- 2) 適用端子品番: 7116-2870, 7116-2871, 7116-2872
- 3) 適用リヤホルダ'品番: 7157-6240-30

NOTES

- 1) MATING PART NO.: 7122-6040, 7122-6040-40
- 2) APPLICABLE TERMINAL NO.: 7116-2870, 7116-2871, 7116-2872
- 3) APPLICABLE REAR HOLDER NO.: 7157-6240-30



88.12.08	N E W	BMC-3157	T. M
LET	DATE	REVISION RECORD	NO. CHKD

GENERAL TOLERANCE						
	10MAX	50MAX	100MAX	250MAX	2500VR	ANGLE
A	±0.15	±0.2	±0.3	±0.5	±0.75	±30'
B	±0.2	±0.3	±0.55	±0.95	±1.4	±30'
◎	±0.3	±0.5	±0.8	±1.4	±2	±30'

SPECIFIED	WEIGHT	g
-----------	--------	---

CUSTOMER	CUSTOMER PART NO.	CUSTOMER DWG NO.	MATL. SPEC.	NYLON	TREAT. & FIN.
OFFICE	STDLIB NO.		NAME	M TYPE CONNECTOR	
VENDOR			HOUSING 4PF(W)		
VENDOR NO.	DWG TYPE	DWG SOURCE	DWG DATE	UNIT	SCL
	R	NEW	88.10.13	mm	5/1
	APPROVED	CHECKED	CHECKED	DESIGN	DRAWN
	K. Sato	T. Masui	SAKAI	S. YAGI	
	88.12.12	88.12.01	82.08.0388	10.13	
PART NO. 7123-6040 ETC.			DWG NO. 7123-6040-R		
			TRIAL PART NO.		
YAZAKI CORPORATION					

82.08.0388	10.13
------------	-------