

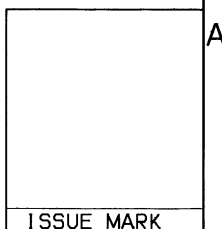
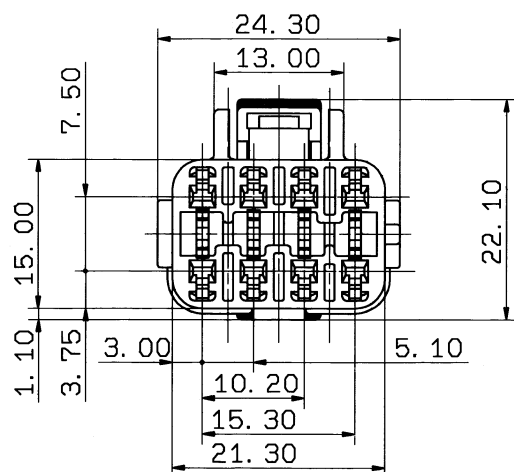
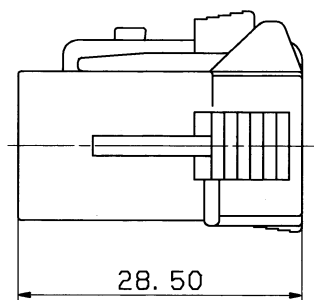
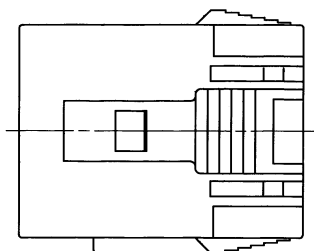


注記

- 1. 嵌合オスハウジング 品番: 7222-7780-40
- 2. 使用フロントホルダ 品番: 7157-7789-60
- 3. 使用メス端子品番: 7116-1304 etc

NOTES

- 1. MATING MALE HOUSING NO. : 7222-7780-40
- 2. APPLICABLE FRONT HOULDER NO. : 7157-7789-60
- 3. APPLICABLE FEMALE TERMINAL NO. : 7116-1304 etc



ISSUE MARK

										CUSTOMER				MATL. PBT (GRAY)		TREAT. & FIN.	
										CUSTOMER PART NO.				CUSTOMER DWG NO.			
										OFFICE				STDLIB NO.			
										VENDOR				NAME Z-TYPE CONNECTOR HOUSING			
										VENDOR NO.				8P F(GY)			
GENERAL TOLERANCE										PART NO. 7123-7780-40							
	10MAX	50MAX	100MAX	250MAX	250OVR	ANGLE	ECCENT	DWG TYPE	DWG SOURCE	DWG DATE	UNIT	SCL	ANGLE				
A	±0.15	±0.2	±0.3	±0.5	±0.75	±30°	0.1	R	RENEW	88.01.12	mm	2/1	3				
B	±0.2	±0.3	±0.55	±0.95	±1.4	±30°	0.1	APPROVED	CHECKED	CHECKED	DESIGN	DRAWN	DWG NO. 7123-7780-40:R		TRIAL PART NO.		
©	±0.3	±0.5	±0.8	±1.4	±2	±30°	0.15	<i>阿部</i>		<i>阿部</i>	K. ABE	M. KAI					
SPECIFIED							WEIGHT		g		89.7.20		87. 4. 9		89.07.19		
							1		2		3						