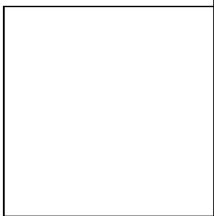
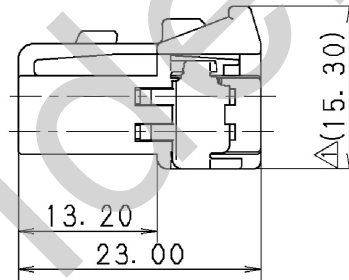
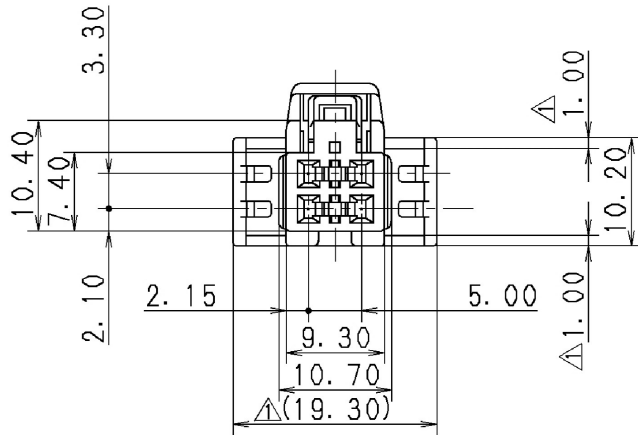
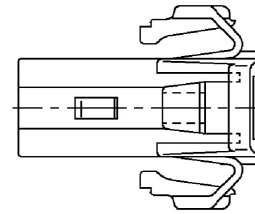


△注記

- 1. かん合相手品番: 7122-7842-80
- 2. 適用端子品番: 7116-1300 ETC.

△NOTES

- 1. MATING PART NO. : 7122-7842-80
- 2. APPLICABLE TERMINAL NO. : 7116-1300 ETC.



△	10.11.15	CHANGED PART NAME	C10-ZA97	J. C									ISSUE MARK		
△	02.03.16	CORRECTION OF A CLERICAL ERROR & ADDED NOTES ETC.	C02-X352	O. S	CUSTOMER				MATL. PBT (BROWN)		TREAT. & FIN.				
	87.12.22	NEW	8MC-0011	原田	CUSTOMER PART NO.				CUSTOMER DWG NO.						
LET	DATE	REVISION RECORD	NO.	CHKD	OFFICE				TRIAL PART NO.				NAME △C-TYPE 4P FEMALE HOUSING		
GENERAL TOLERANCE					VENDOR				VENDOR NO.						
	10MAX	50MAX	100MAX	250MAX	250OVR	ANGLE	ECCENT	DWG TYPE	DWG SOURCE	DWG DATE	UNIT	SCL	ANGLE	PART NO.	7123-7842-80
A	±0.15	±0.2	±0.3	±0.5	±0.75	±30'	0.1	R	NEW	87.12.22	mm	2/1	3	CH. CODE	
B	±0.2	±0.3	±0.55	±0.95	±1.4	±30'	0.1	APPROVED	CHECKED	CHECKED	DESIGN	DRAWN	DWG NO.	7123-7842-80:R	SET DWG NO.
©	±0.3	±0.5	±0.8	±1.4	±2	±30'	0.15	S. MIZUSE		R. CABANGAL	K. ABE	J. CANDO	YAZAKI CORPORATION		
SPECIFIED					MASS										
					g										