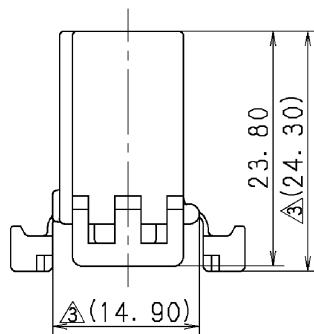
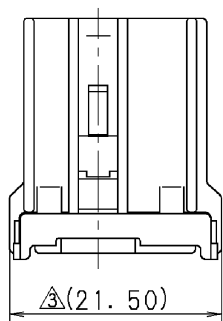
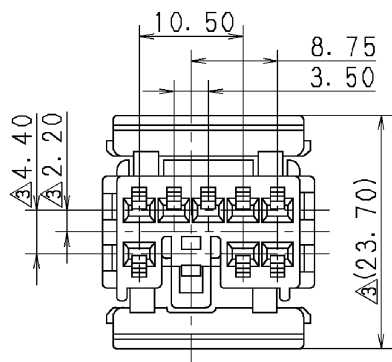


1

2

3



PART NO. AND CH. CODE	COLOR
7123-8386 (7B23-8386)	NATURAL
7123-8386-30	BLACK
7123-8386-70	YELLOW

## 注記

1. かん合相手品番: 7122-8386 ETC.
2. 適用端子品番: 7116-1473 (7B16-1473), 7116-1473-08,  
7116-1474, 7116-1474-08
3. ( ) 内品番は、エアバック回路及び特別管理回路使用時に適用する事。

## NOTES

1. MATING PART NO. : 7122-8386 ETC.
2. APPLICABLE TERMINAL NO. : 7116-1473 (7B16-1473), 7116-1473-08,  
7116-1474, 7116-1474-08
3. ( ) PART NO. IS USED FOR PARTS ASSOCIATED WITH A/B CIRCUITS  
OR OTHER SPECIFIED CIRCUIT.

ISSUE MARK

10.11.15	CHANGED PART NAME	C10-ZA96	R. M	CUSTOMER		MATL. SPEC.	PBT	TREAT. & FIN.											
03.09.22	ADDED PART NO.	C03-X585	T. H	CUSTOMER PART NO.	CUSTOMER DWG NO.														
92.11.18	ADDED PART No.	C92-6964	K. S			NAME	SDL TYPE HOUSING												
92.07.23	RENEW	C92-6717	A. H	OFFICE	TRIAL PART NO.	8P FEMALE													
LET	DATE	REVISION RECORD NO.	CHKD	VENDOR	VENDOR NO.														
GENERAL TOLERANCE																			
	10MAX	50MAX	100MAX	250MAX	250QVR	ANGLE	ECCENT	DWG TYPE	DWG SOURCE	DWG DATE	UNIT	SCL	ANGLE	PART NO.	7123-8386 (7B23-8386) ETC.				
A	±0.15	±0.2	±0.3	±0.5	±0.75	±30'	0.1	R	NEW	88.07.04	mm	2/1	3	CH. CODE	7123-8386:R				
B	±0.2	±0.3	±0.55	±0.95	±1.4	±30'	0.1	APPROVED	CHECKED	CHECKED	DESIGN	DRAWN	DWG NO.	7123-8386:R					
(C)	±0.3	±0.5	±0.8	±1.4	±2	±30'	0.15	S. MIZUSE		R. CABANGAL	H. SAITOH	R. MAJERANO	YAZAKI CORPORATION			SET DWG NO.			
SPECIFIED							MASS	10.11.15		10.11.15	88.07.04	10.11.15							

1

2

3