

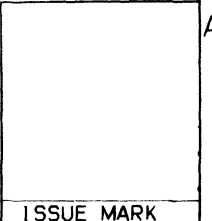
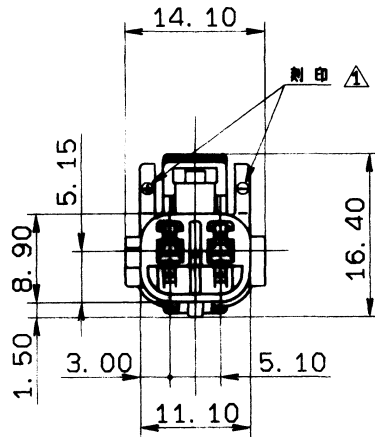
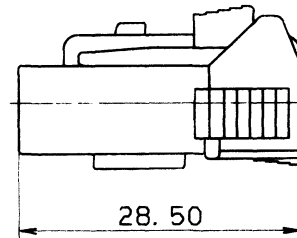
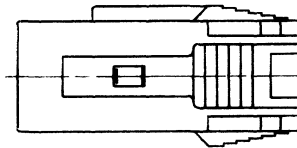
NAME	PART NO.	COLOR
Z TYPE HOUSING 2PF(BR)	7123-8521-80	BROWN
Z TYPE HOUSING 2PF(OR)	7123-8521-50	ORANGE

注記

- 1. 嵌合オスハウジング 品番: 7222-8521-80
: 7222-8521-50
- 2. 使用フロントホルダ 品番: 7157-7729-60
- 3. 使用メス端子品番: 7116-1304 etc

NOTES

- 1. MATING MALE HOUSING NO. : 7222-8521-80
: 7222-8521-50
- 2. APPLICABLE FRONT HOLDER NO. : 7157-7729-60
- 3. APPLICABLE FEMALE TERMINAL NO. : 7116-1304 etc



ISSUE MARK

91.01.29	ADD PART NO.	C91-6168	M. K	CUSTOMER	MATL. PBT	TREAT. & FIN.
89.09.11	刺印追加	C89-7350	M. K	CUSTOMER PART NO.	CUSTOMER DWG NO.	
89.07.03	NEW	C89-6638	M. K	OFFICE	STDLIB NO.	NAME Z-TYPE CONNECTOR HOUSING 2PF
LET	DATE	REVISION RECORD	NO.	CHKD	VENDOR	
GENERAL TOLERANCE				VENDOR NO.		
10MAX	50MAX	100MAX	250MAX	2500VR	ANGLE	ECCENT
A ±0.15	±0.2	±0.3	±0.5	±0.75	±30'	0.1
B ±0.2	±0.3	±0.55	±0.95	±1.4	±30'	0.1
◎ ±0.3	±0.5	±0.8	±1.4	±2	±30'	0.15
SPECIFIED				WEIGHT g		
				91.01	87.2.3	91.01.29

