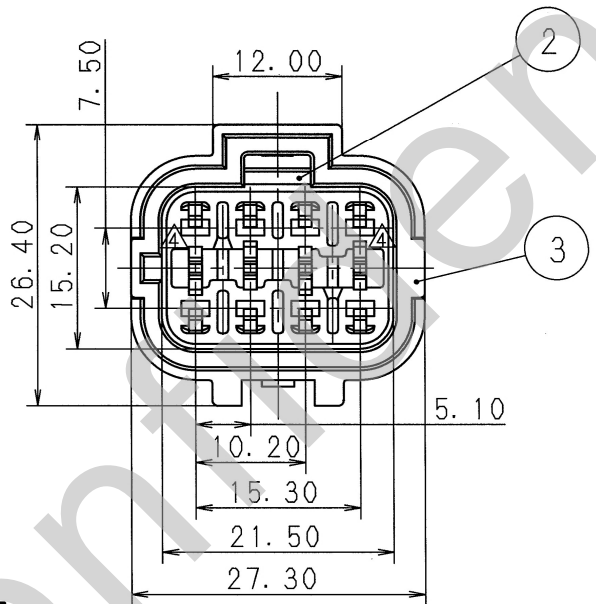
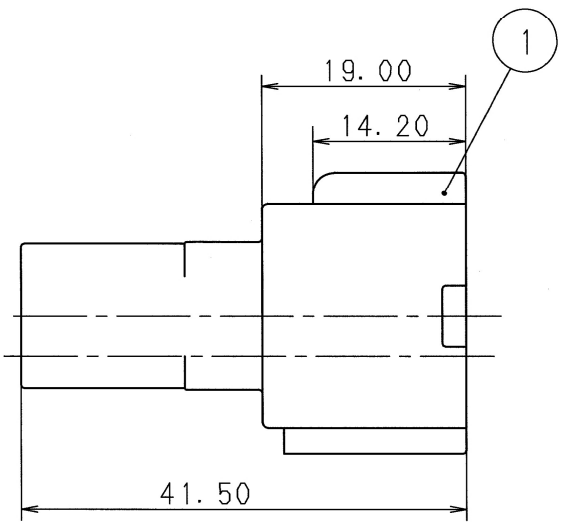
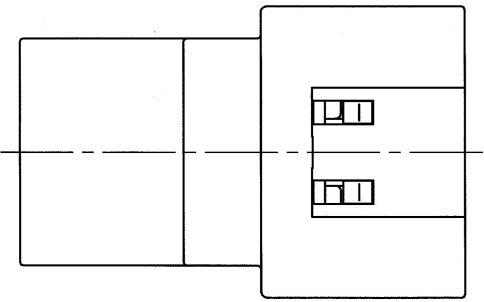


1

2

3

SUB ASSEMBLY PART NO. AND CH. CODE	NO.	PART NO. AND CH. CODE	MATERIAL	COLOR	QTY.
7222-7780-40, Δ	①	7122-7780-40	PBT	GRAY	1
	②	Δ 7137-2580-60, Δ	SILICONE RUBBER	LIGHT GREEN	1
	③	7157-7418-30	PBT	BLACK	1



注記

- 1. 嵌合相手品番 : 7123-7780-40
- 2. 適用フロントホルダ品番 : 7157-7788
- 3. 適用端子品番 : 7114-1304 ETC.

NOTES

- 1. MATING PART NO. : 7123-7780-40
- 2. APPLICABLE FRONT HOLDER PART NO. : 7157-7788
- 3. APPLICABLE TERMINAL PART NO. : 7114-1304 ETC.

B

B

A

A

Δ	03.02.03	CORRECTION OF A CLERICAL ERROR	C03-X119	M. F	CUSTOMER		MATL. SPEC.	SEE TABLE	TREAT. & FIN.						
Δ	94.09.20	CHANGED GRADE OF MATERIAL, Δ	C94-L631	S. K	CUSTOMER PART NO.		NAME Z TYPE CONNECTOR HOUSING								
Δ	89.07.21	RENEW	C89-6659	H. I	OFFICE		8PM (GY) SUB ASSEMBLY								
LET	DATE	REVISION RECORD	NO.	CHKD	VENDOR		PART NO. Δ 7222-7780-40, Δ								
GENERAL TOLERANCE					VENDOR NO.		CH. CODE								
	10MAX	50MAX	100MAX	250MAX	2500VR	ANGLE	ECCENT	DWG TYPE	DWG SOURCE	DWG DATE	UNIT	SCL	ANGLE	DWG NO. 7222-7780-40:R	
A	± 0.15	± 0.2	± 0.3	± 0.5	± 0.75	$\pm 30'$	0.1	R	RENEW	88.01.12	mm	2/1	3	SET DWG NO.	
B	± 0.2	± 0.3	± 0.55	± 0.95	± 1.4	$\pm 30'$	0.1	APPROVED	CHECKED	CHECKED	DESIGN	DRAWN		YAZAKI CORPORATION	
C	± 0.3	± 0.5	± 0.8	± 1.4	± 2	$\pm 30'$	0.15	YASHIMA		Y. IMAI		87.04.09 03.02.03			
SPECIFIED					MASS										
					g										

1

2

3

