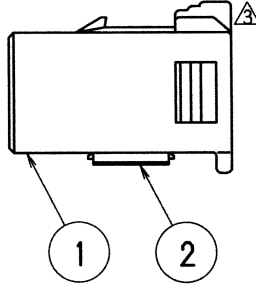
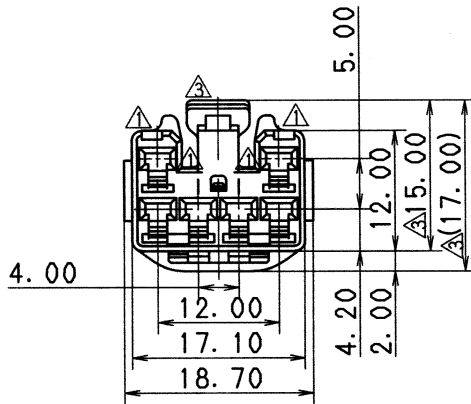
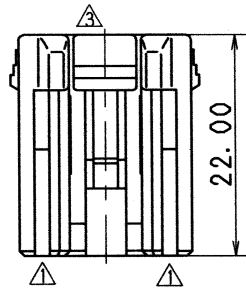


TABLE 1

YAZAKI SUB ASSEMBLY PART NO.	NO.	YAZAKI PART NO.	MATERIAL	COLOR	QTY.
7283-1060 ETC.	①	SEE TABLE 2	△ HPA	SEE TABLE 2	1
	②	7157-4021 (7B57-4021) △	△ HPA	△ NATURAL	1

TABLE 2

YAZAKI SUB ASSEMBLY PART NO.	YAZAKI PART NO.	COLOR
7283-1060, △ (7C83-1060, △) △	7183-1060 (7B83-1060) △	NATURAL
7283-1060-10, △	7183-1060-10	DARK GRAY
7283-1060-30, △ (7C83-1060-30, △) △	7183-1060-30 (7B83-1060-30) △	BLACK
7283-1060-40, △	7183-1060-40	LIGHT GRAY
7283-1060-50, △	7183-1060-50	ORANGE
△ 7283-1060-60, △	7183-1060-60	GREEN
△ 7283-1060-70, △	7183-1060-70	YELLOW
△ 7283-1060-80, △	7183-1060-80	BROWN
7283-1060-90, △	7183-1060-90	BLUE



注記

- 嵌合相手品番: 7282-1060 ETC.
- 適用端子品番: 7116-4020 ETC.
- () 内品番は、A/B回路及び、特別管理回路に使用する時に適用すること。

NOTES

- MATING PART NO. : 7282-1060 ETC.
- APPLICABLE TERMINAL NO. : 7116-4020 ETC.
- () PART NO. IS USED FOR PARTS ASSOCIATED WITH A/B CIRCUITS OR OTHER SPECIFIED CIRCUIT.

△	04.09.10	ADDED A/B PART NO., ETC	C04-ZB61	T. H
△	96.12.25	ADDED PART NO.	C96-N214	M. K
△	96.10.28	ADDED A/B PART NO.	C96-M779	H. K
△	95.03.20	CHANGED MATERIAL, △	C95-L362	M. K
△	93.10.30	CHANGED MATERIAL	C93-P175	C. M
△	93.07.14	CHANGED FORM	C93-L729	H. F
△	90.11.10	CHANGED SPACER COLOR	C90-M208	M. H
△	90.04.04	CHANGED FORM & RENEW	C90-L365	K. O
△	88.12.24	NEW	C89-L006	K. J

CUSTOMER		MATL. SPEC.	TREAT. & FIN.
CUSTOMER PART NO.	CUSTOMER DWG NO.	SEE TABLE 1	
OFFICE	TRIAL PART NO.	NAME △ 2. 3II (090II) 6P CONNECTOR	
VENDOR		SUB ASSEMBLY FEMALE	

GENERAL TOLERANCE								VENDOR NO.					PART NO. CH. CODE	DWG NO.	SET DWG NO.		
10MAX	50MAX	100MAX	250MAX	250QVR	ANGLE	ECCENT	DWG TYPE	DWG SOURCE	DWG DATE	UNIT	SCL	ANGLE					
A	±0.15	±0.2	±0.3	±0.5	±0.75	±30'	0.1	R	NEW	89.01.13	mm	2/1	3	7283-1060 ETC. (7C83-1060 ETC.) △	7283-1060:R		
B	±0.2	±0.3	±0.55	±0.95	±1.4	±30'	0.1	APPROVED	CHECKED	CHECKED	DESIGN	DRAWN					
◎	±0.3	±0.5	±0.8	±1.4	±2	±30'	0.15				Y. OHTA	E. PANTONI					
SPECIFIED	MASS																

APPROVED	CHECKED	CHECKED	DESIGN	DRAWN
Y. OHTA	E. PANTONI			
04. 9. 14	04. 9. 14	04. 09. 14	88. 12. 26	04. 09. 10

ISSUE MARK	
YAZAKI CORPORATION	