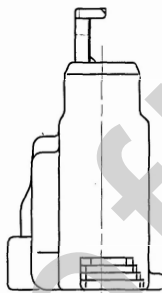
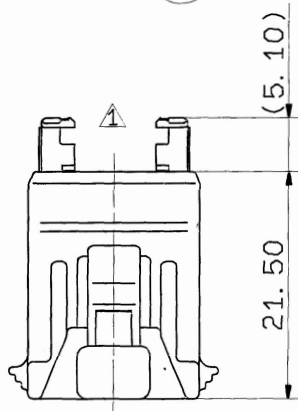
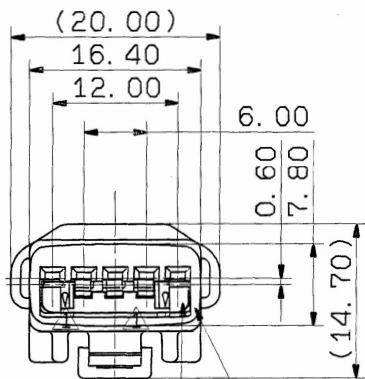


YAZAKI SUB ASS'Y NO.	NO.	YAZAKI PART NO.	YAZAKI PART NAME	MATERIAL	COLOR
▲ 7283-7652 ETC.	①	▲ SEE TABLE	050 5P SEALED CONNECTOR HOUSING FEMALE	PBT	▲ SEE TABLE
	②	7157-4379	050 5P SEALED CONNECTOR SPACER FEMALE	PBT	NATURAL



YAZAKI SUB ASS'Y NO.	YAZAKI HOUSING PART NO.	COLOR
7283-7652	7183-7652	NATURAL
▲ 7283-7652-10	7183-7652-10	DARK GRAY
▲ 7283-7652-30	7183-7652-30	BLACK
▲ 7283-7652-40	7183-7652-40	LIGHT GRAY
▲ 7283-7652-50	7183-7652-50	ORANGE
▲ 7283-7652-60	7183-7652-60	GREEN
▲ 7283-7652-80	7183-7652-80	BROWN
▲ 7283-7652-90	7183-7652-90	BLUE

注記

- 1. 適用端子品番: 050 7116-4060-02
(CAVS 0.3~CAVS 0.5, AVS 0.3)
- 2. 適用ゴムの品番: 7157-3920-40
- ▲ 3. 嵌合相手品番: 7282-7652 ETC.

NOTES

- 1. APPLICABLE TERMINAL NO. : 7116-4060-02
(CAVS 0.3~CAVS 0.5, AVS 0.3)
- 2. APPLICABLE RUBBER STOPPER NO. : 7157-3920-40
- ▲ 3. MATING PART NO. : 7282-7652 ETC.

ISSUE MARK

				CUSTOMER				MATERIAL SPEC.				TREAT. & FIN.	
				CUSTOMER PART NO.				CUSTOMER DWG NO.				SEE TABLE	
▲ 95.10.23				CHANGED FORM				C95-M421				K.O	
90.10.12				NEW				C90-M137				K.O	
LET DATE				REVISION RECORD				NO.				CHKD	
				GENERAL TOLERANCE				VENDOR				NAME	
				VENDOR NO.				DWG TYPE				DWG SOURCE	
				DWG DATE				UNIT				SCL	
				ANGLE				ECCENT				PART NO.	
10MAX				50MAX				100MAX				250MAX	
250OVR				ANGLE				ECCENT				CH. CODE	
A ±0.15				±0.2				±0.3				▲ 7283-7652 ETC.	
±0.5				±0.75				±30'				0.1	
B ±0.2				±0.3				±0.55				APPROVED	
±0.95				±1.4				±30'				CHECKED	
C ±0.3				±0.5				±0.8				CHECKED	
±1.4				±2				±30'				DESIGN	
0.15				MASS				DRAWN				PART NO.	
SPECIFIED				g				95-11.01				95.10.30	
								95-10.30				89.12.06	
								95.10.23				95.10.23	
												DWG NO.	
												7283-7652:R	
												YAZAKI CORPORATION	