

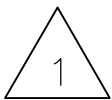
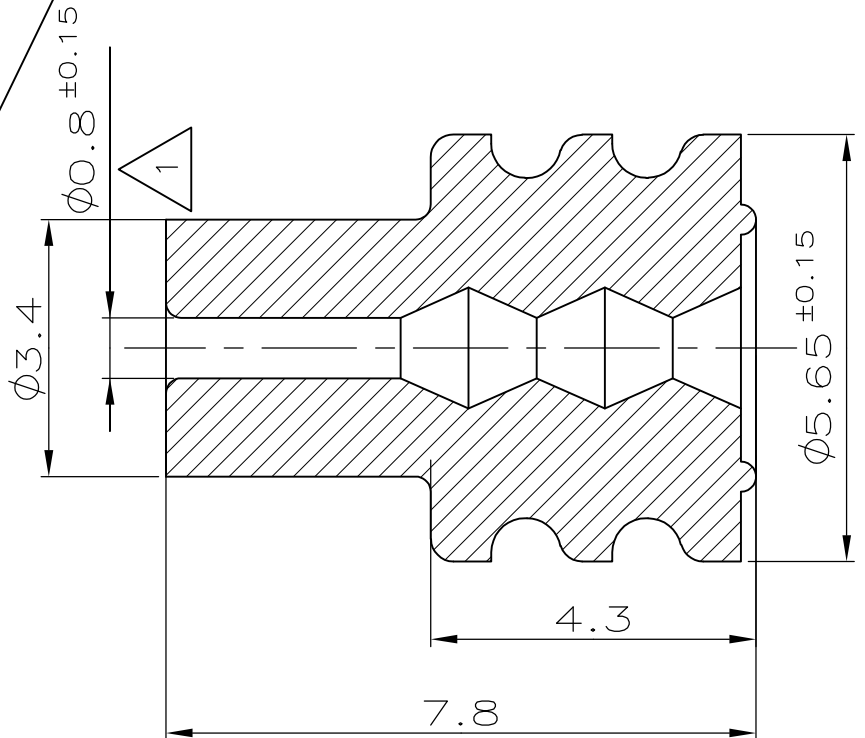
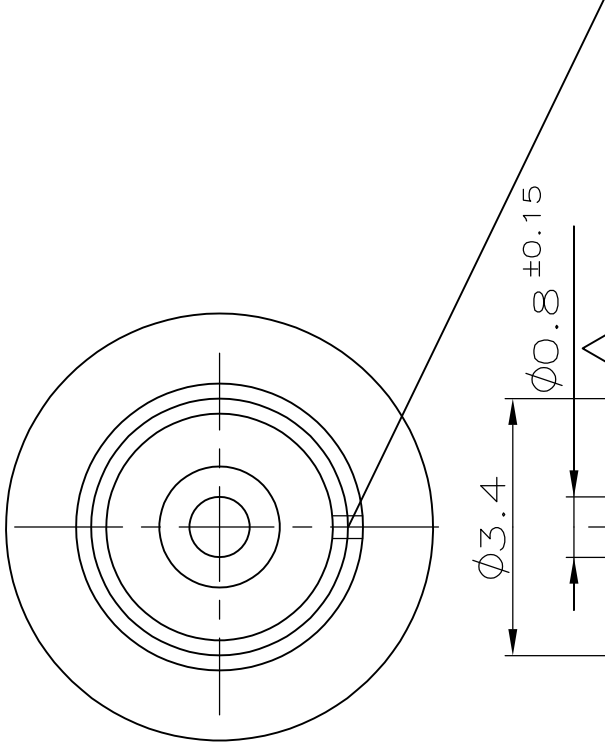
WAR NR. —	LOC	DIST	REVISIONS ÄNDERUNGEN DESCRIPTION BESCHREIBUNG			DATE	DWN	APVD
PASSEND ZU —	A1	—	P	LTR				
VERWENDET FÜR —			E2	REVISED PER ECO-11-005150		21MAR11	RK	HMR

ÄNDERUNGEN, DIE DEM
TECHNISCHEN FORT-
SCHRITT DIENEN, BE-
HALTEN WIR UNS VOR



M 1:1

wahlweise unterbrochen



Für Isolationsø 1.2–2.1mm
Leitungen: FLR 0.35–1.0mm²
FLK 0.35mm²

963294-1	SILIKON SHORE A 50° lubriziert	blau
BESTELL-NR.	WERKSTOFF	OBERFLÄCHE FARBE

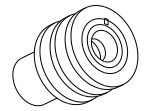
ZEICHNUNG GÜLTIG AB

DIMENSIONS: MASSENHHEITEN mm	DWN	16-Apr-96	MATERIAL	SILIKON	FINISH OBERFLÄCHE/FARBE	—	
	CHK	16-Apr-96	TE Connectivity				
TOLERANCES UNLESS OTHERWISE SPECIFIED: ALLGEMEINTOLERANZEN	APVD	—					NAME
	0 PLC	± —	Einzelleiterdichtung				
1 PLC	± 0.2 mm	Fuer Flachkontakt u. Flachstecker 2,8mm(Junior-Power-Timer Kontaktsystem)					
2 PLC	± —					SIZE	CAGE CODE
3 PLC	± —	A4	00779	G-963294	—		
4 PLC	± —	CUSTOMER DRAWING / KUNDENZEICHNUNG				SCALE MASSTAB	—
ANGLES / WINKEL	± —	SHEET BLATT				1 OF VON 1	REV E2

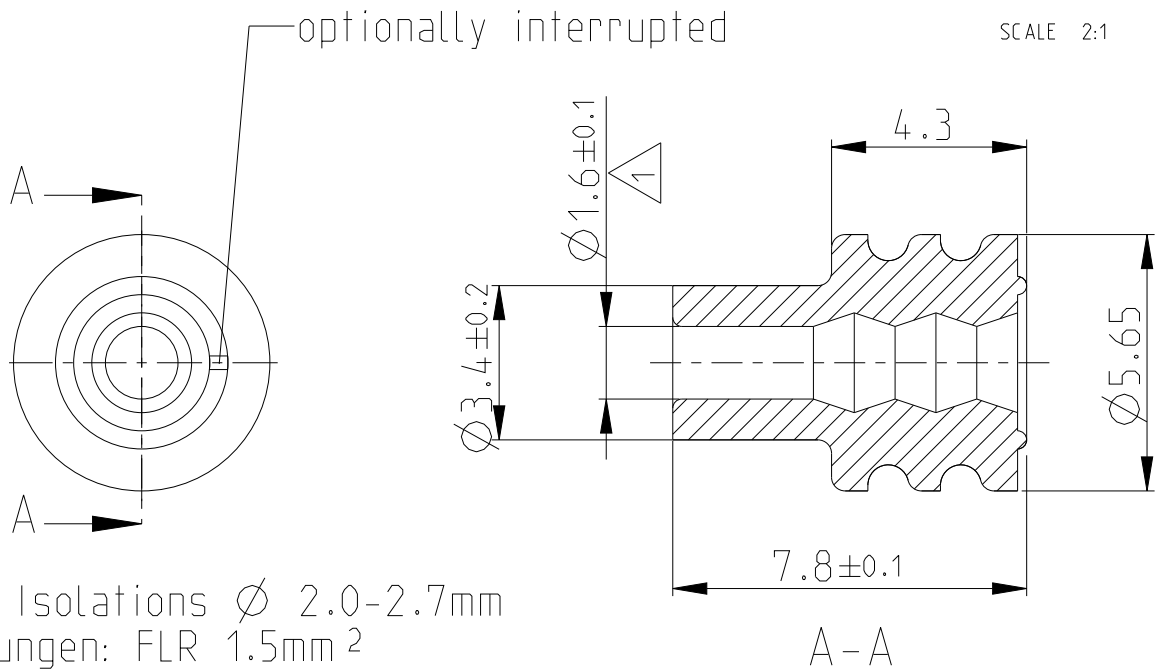
RELEASED FOR PUBLICATION
FREI FÜR VERÖFFENTLICHUNG
ALL RIGHTS RESERVED.

THIS DRAWING IS UNPUBLISHED.
VERTRAULICHE UNVERÖFFENTLICHTE ZEICHNUNG.
COPYRIGHT — By —

LOC	DIST	REVISIONS					
AI	-	P	LTR	DESCRIPTION	DATE	DWN	APVD
Pr-No 87-9088		G2		REVISED PER ECO-11-005027	20MAR2011	RK	HMR
		G3		REVISED PER ECO-17-017004	16APR2018	AMAR	SKRA
		G4		VARIANT 963293-2 IS OBSOLETE	13OCT2021	SCK	MA



SCALE 2:1



G4	OBSOLETE	963293-2	G	FLUOR-SILIKONKAUTSCHUK SHORE A 40°	BROWN RED
		963293-1	F	SILIKONKAUTSCHUK SHORE A 50° lubriziert	BROWN RED
		PN	REV.	MATERIAL	COLOR

19- RELEASED FOR PUBLICATION

ALL RIGHTS RESERVED.

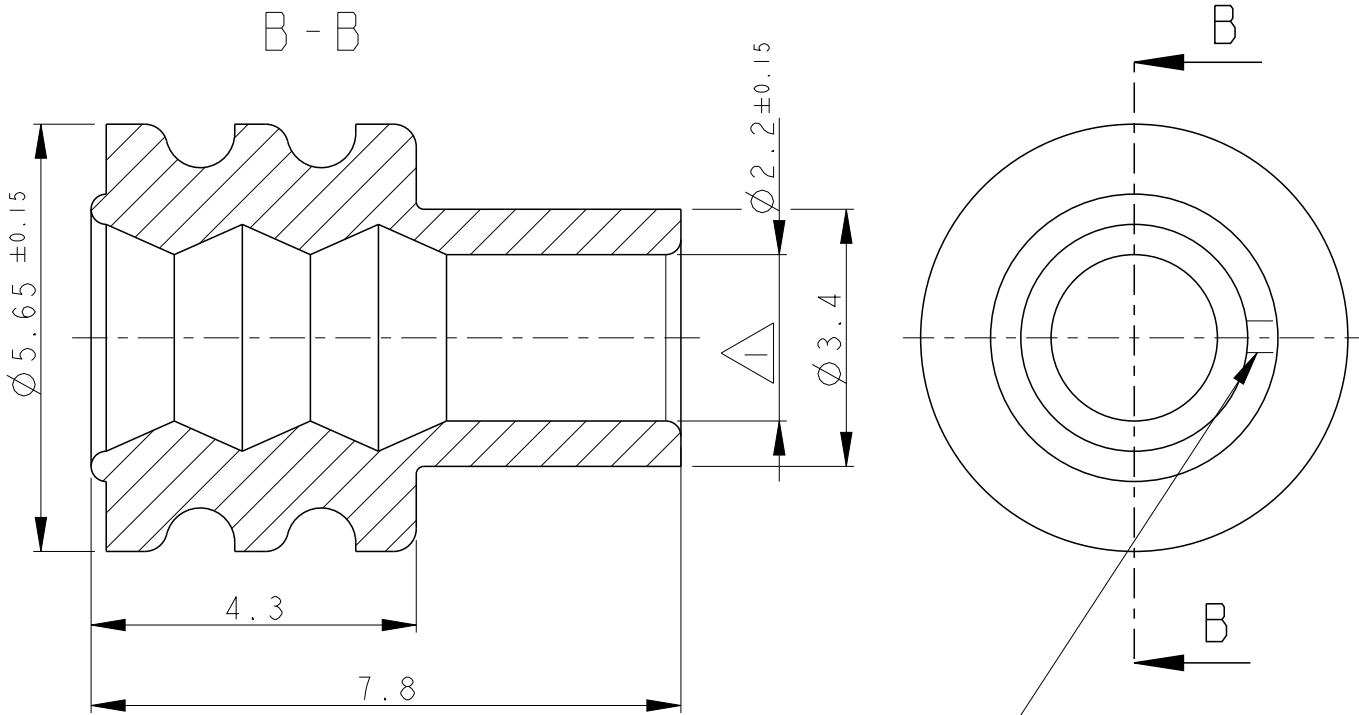
THIS DRAWING IS UNPUBLISHED.

BY -

© COPYRIGHT 19-

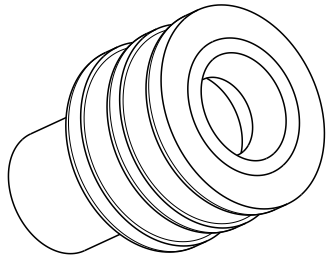
DIMENSIONS:	DWN	29JAN97	MATERIAL	SEE TABLE	FINISH	SEE TABLE
mm	R.SCH&FER		TE Connectivity			
TOLERANCES UNLESS OTHERWISE SPECIFIED:	CHK	29JAN97				
0 PLC ±	U.M ünK		NAME SINGLE-WIRE-SEAL INSULDIA 2.0-2.7 EINZELLEITERDICHTUNG			
1 PLC ±	APVD	-				
2 PLC ±0.2	PRODUCT SPEC	108-18159-1	SIZE	CAGE CODE	DRAWING NO	RESTRICTED TO
3 PLC ±	APPLICATION SPEC	114-18018	A 4	00779	©=963293	
4 PLC ±0.000	WEIGHT	ca. 0.1g	CUSTOMER DRAWING			
ANGLES ±			SCALE	6:1	SHEET	1 OF 1
			REV G4			

REVISIONS					
P	LTR	DESCRIPTION	DATE	DWN	APVD
	E4	REVISED (ECR-15-003702)	09MAR2015	M.G.	M.G.




OPTIONAL INTERRUPTED

 DEDICATED FOR INSULATION DIA:
 2.7-3.0mm (FLR CABLE - WIRE SIZE 2.5mm²)
 2.7-3.04mm (ALUMINIUM WIRE ONLY - WIRE SIZE 2.5mm²)



YELLOW	SILICONE 50° SHORE A INHERENTLY LUBRICATED	963292-1
COLOR	MATERIAL	PART Nr.

2000
 RELEASED FOR PUBLICATION
 ALL RIGHTS RESERVED.
 BY -
 COPYRIGHT 2000
 THIS DRAWING IS UNPUBLISHED.

DIMENSIONS: mm	DWN R. Schaefer	16-Apr-96	MATERIAL	SEE TABLE	FINISH	SEE TABLE
	CHK U. Muenk	16-Apr-96	 TE Connectivity			
TOLERANCES UNLESS OTHERWISE SPECIFIED:	APVD	-				
0 PLC ±0.2	PRODUCT SPEC	-	SIZE	CAGE CODE	DRAWING NO	RESTRICTED TO
1 PLC ±0.2	APPLICATION SPEC	-	A4	00779	C=963292	-
2 PLC ±	WEIGHT	0.1 gr	Customer Drawing			
3 PLC ±			SCALE	10:1	SHEET	1 OF 1
4 PLC ±					REV	E4
ANGLES ±1°						