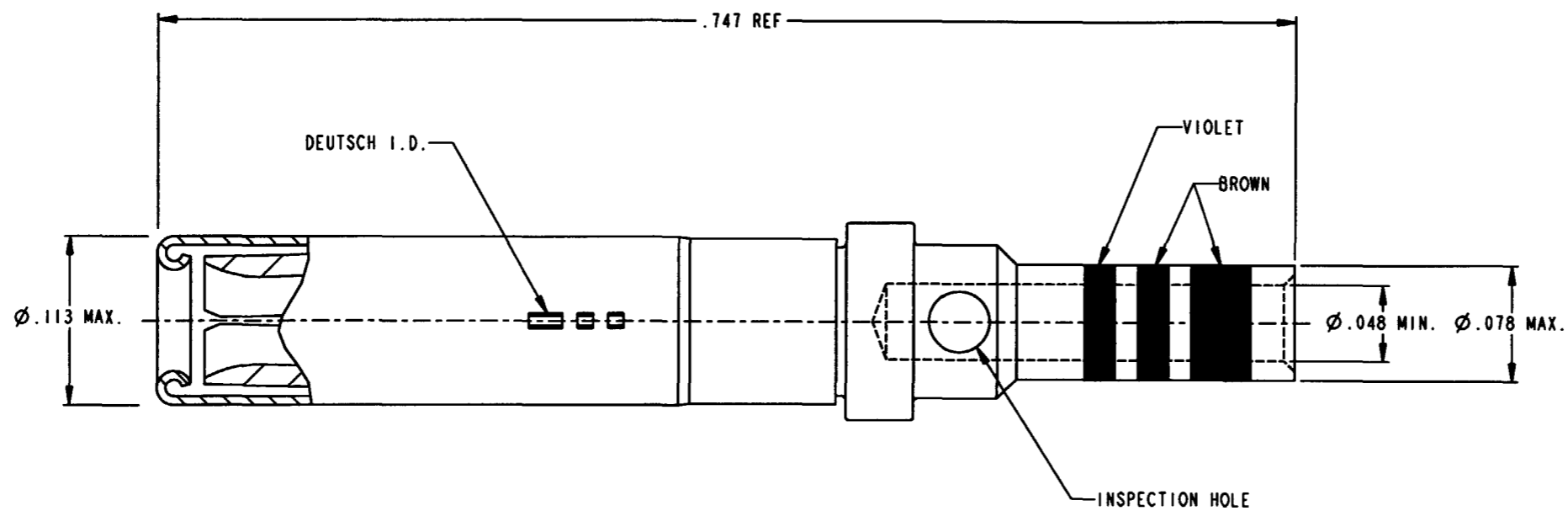


PROPERTY OF DEUTSCH E.C.D.  
 This drawing contains proprietary information that shall not be disclosed, duplicated, or used in whole or in part for any purpose other than to evaluate this drawing.

N/C 109027

REVISIONS			
REV	DESCRIPTION	DATE	APPROVED
N/C	NEW RELEASE PER E.O. C4168	9/2/99	DK



4. CRIMP TOOL: M22520/1-01 OR M22520/7-01  
 POSITIONER: M22520/1-02 BLUE OR M22520/7-03
3. FINISH: SOCKET BODY - GOLD OVER A NICKEL UNDERPLATE
2. MATERIAL: SOCKET BODY - COPPER ALLOY PER MIL-C-39029  
 SLEEVE - STAINLESS STEEL
1. ALL DIMENSIONS ARE IN INCHES UNLESS OTHERWISE SPECIFIED.

NOTES:

SIGNATURE & DATE		CONTACT, SOCKET	CP	MIL CODE
DR	J. FRIEDHOF 9-2-99			
CHK	MK9/2/99	DBA TYPE, SIZE 16 WITH SIZE 20 CRIMP BARREL MIL-C-39029/5-117	DEUTSCH ENGINEERED CONNECTING DEVICES 5733 W. Whittier Ave. Hemet, California	
PE	J. FRIEDHOF 9-2-99		A	109027
APPD	AK	ENVELOPE	CHG	SHEET
SCALE	10.000	NONE	OF	

109027-ENV