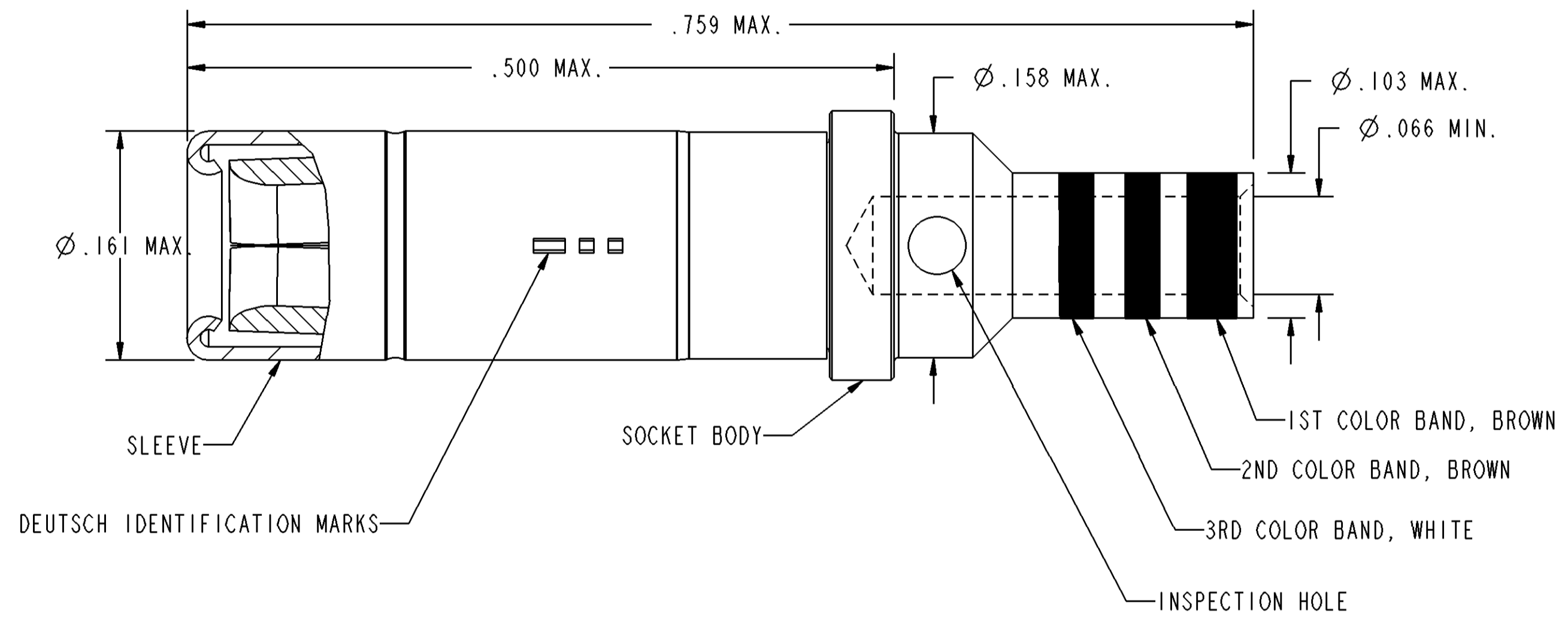


REV	109029	REVISION HISTORY			
-		REV	DESCRIPTION	DATE	APPROVED
		-	NEW RELEASE PER E.O. C7806	100315	A.R.

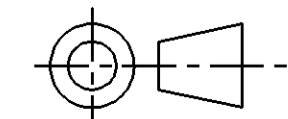


3. FINISH - SOCKET BODY: GOLD OVER NICKEL  
SLEEVE: PASSIVATED
2. MATERIAL - SOCKET BODY: COPPER ALLOY  
SLEEVE: STAINLESS STEEL
1. DIMENSIONS ARE IN INCHES UNLESS OTHERWISE SPECIFIED.

NOTES: UNLESS OTHERWISE SPECIFIED.

PROPERTY OF DEUTSCH E.C.D. THIS DRAWING CONTAINS PROPRIETARY INFORMATION THAT SHALL NOT BE DISCLOSED, DUPLICATED, NOR USED IN WHOLE OR IN PART FOR ANY PURPOSE OTHER THAN TO EVALUATE THIS DRAWING

THIRD ANGLE PROJECTION



SIGNATURE & DATE	
DR	H. ZORNES 090710
CHK	A.R. 100315
PE	H. ZORNES 090710
APPD	A.R. 100315

MATERIAL	
FINISH	
MATERIAL CODE	

ALL SHEETS ARE THE SAME REVISION STATUS



TITLE CONTACT, SOCKET  
SIZE 12, 16-20 GAGE WIRE DBA SERIES  
ENVELOPE

SIZE	CAGE CODE	DWG NO
C	11139	109029
SCALE	NONE	WEIGHT
	NONE	SHEET 1 OF 1

NBO