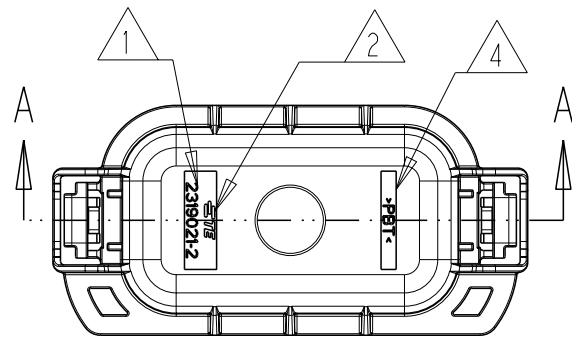
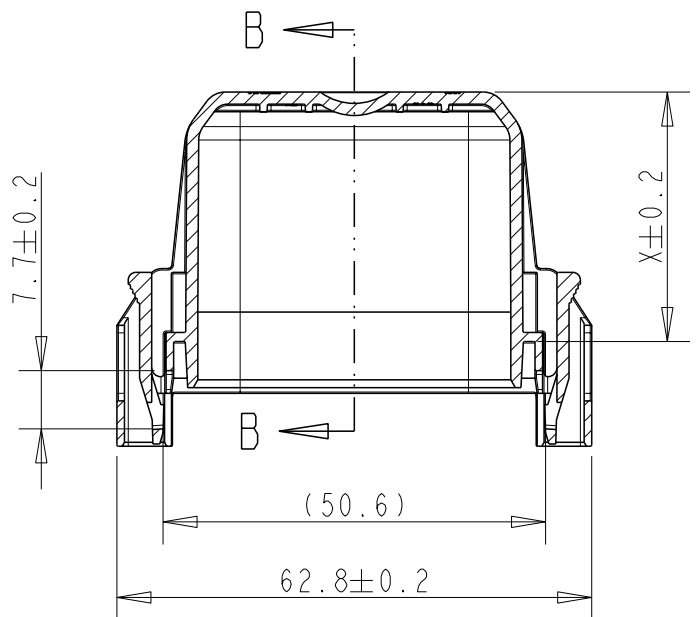


REVISIONS					
P	LTR	DESCRIPTION	DATE	DWN	APVD
	B	RELEASE FOR PRODUCTION	24JAN2020	STK	DK

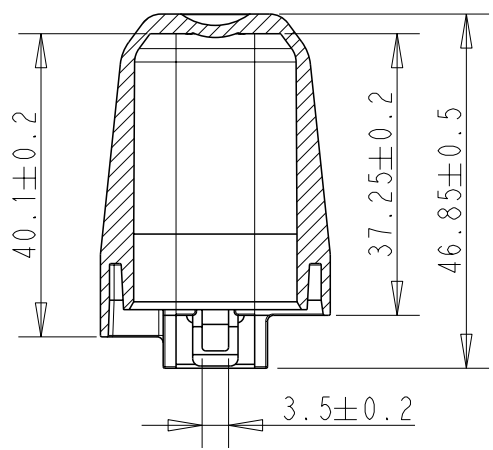


- 1 TE CONNECTIVITY PART NUMBER
- 2 TE CONNECTIVITY TRADEMARK
- 3 PART REVISION INDEX- SEE TABLE
- 4 MATERIAL IDENTIFICATION
- 5 MOLD CAVITY IDENTIFICATION NUMBER
- 6 TE CONNECTIVITY DATE CODE

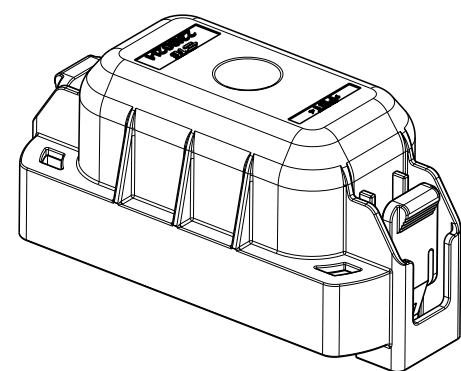
- 7. 2319021-1 COVER USE WITH HOUSING ASSEMBLY:
8P MINI FUSE HSG ASSY: 2319023-1 (FUSE ONLY)
- 8. 2319021-2 COVER USE WITH HOUSING:
1P MAXI FUSE HSG ASSY: 2319826-1,-2
8P MINI FUSE/RELAY HSG ASSY: 2319023-2
- 9. PACKAGING: BULK



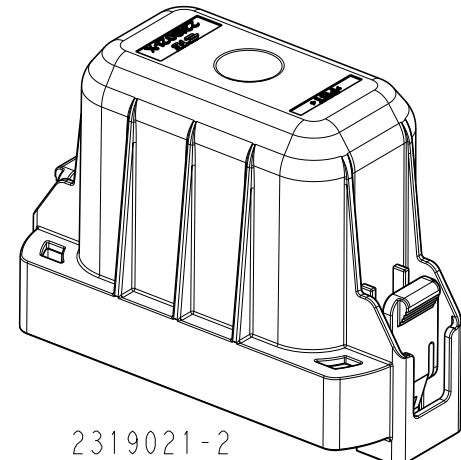
SECTION A-A



SECTION B-B

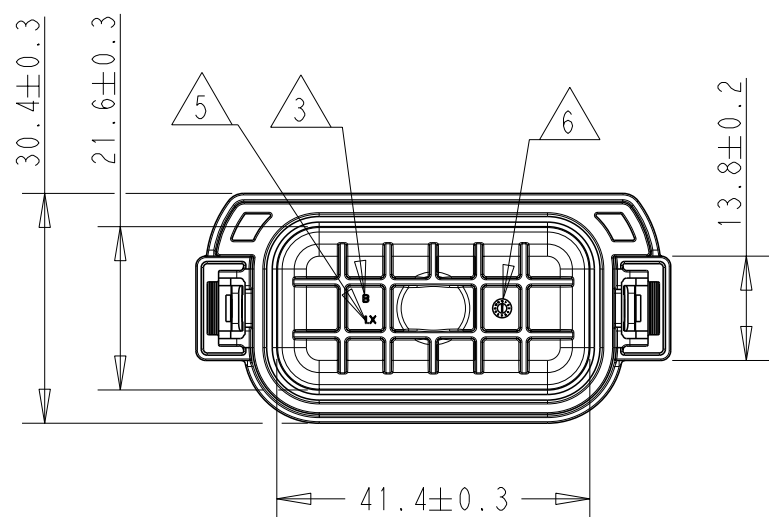


2319021-1



2319021-2

2319021-2 AS SHOWN



2319021-2	B	COVER FOR 8POS MINIFUSE BOX, 1POS MAXIFUSE BOX	PBT	33.00	17.5	BLACK	2
2319021-1	B	COVER FOR 8POS MINIFUSE BOX	PBT	17.70	12.9	BLACK	1
TE PART NO	REV	DESCRIPTION	MATERIAL	'X' DIM	WEIGHT(g)	SURFACE COLOR	ITEM

THIS DRAWING IS A CONTROLLED DOCUMENT.		DWN S. TEJUS KIRAN 11NOV2017			
		CHK KASHYAP P. B. 12NOV2017			
DIMENSIONS: mm 		APVD DAVID KLEIN 12NOV2017	NAME COVER 8 POS MINI FUSE/RELAY BOX 1 POS MAXI FUSE BOX		
TOLERANCES UNLESS OTHERWISE SPECIFIED: 0 PLC ±- 1 PLC ±- 2 PLC ±- 3 PLC ±- 4 PLC ±- ANGLES ±-		PRODUCT SPEC 108-94652	RESTRICTED TO -		
MATERIAL SEE TABLE		APPLICATION SPEC 114-94530	SIZE A3	CAGE CODE 00779	DRAWING NO C-2319021
FINISH -		WEIGHT SEE TABLE	SCALE 1:1		
		CUSTOMER DRAWING	SHEET 1 OF 1		
			REV B		