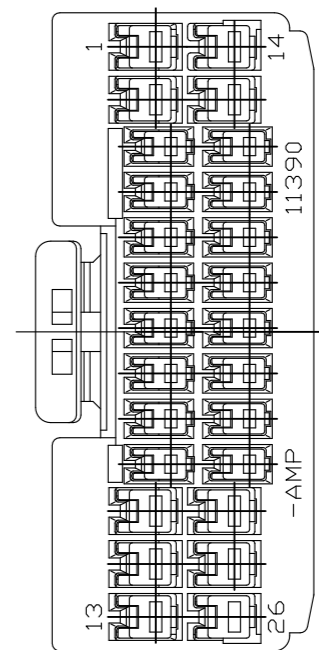
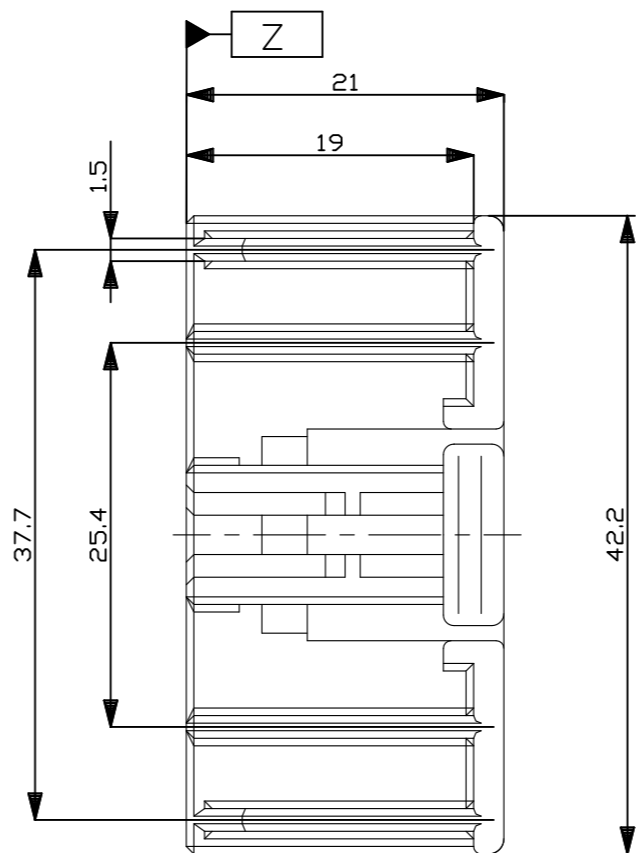
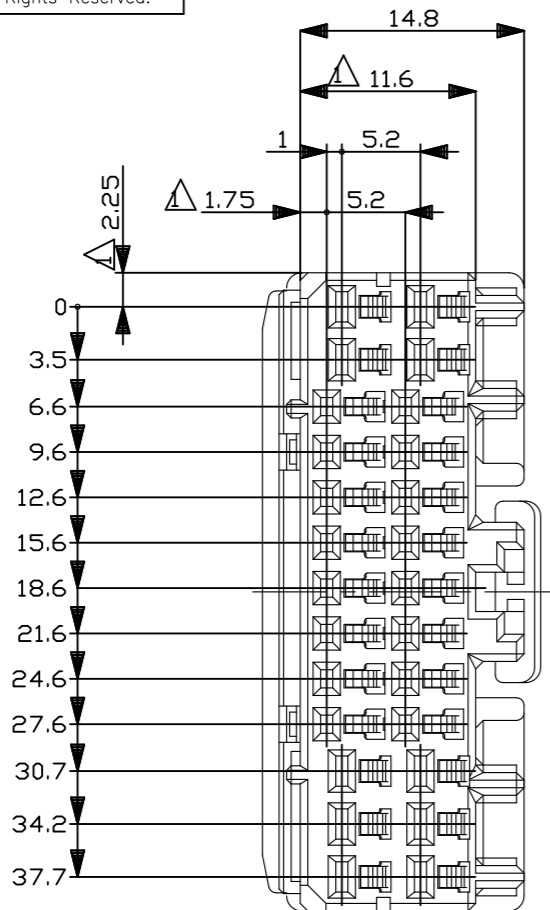


P	LTR	DESCRIPTION	DATE	DWN	APVD
	A1	REVISED PER ECR-23-165252	02FEB2023	RK	MT

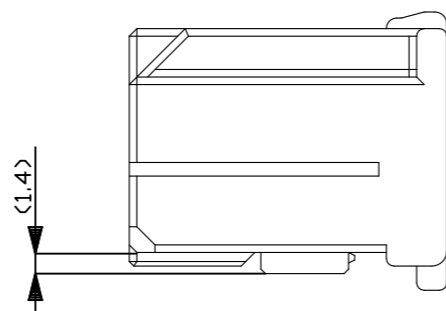


NOTES;

- △ MUST BE KEPT BETWEEN [Z] AND 2mm.
- THE MATING CAP HOUSING PART NUMBER;178764
- APPLIED CONTACT PART NUMBER;175265,175266,175268,175269
- APPLICABLE PRODUCT SPEC NO.108-5342
- △ RETAINER COLOR.7ALL WHITE

注;

- △ [Z] 面より2mmの範囲で測定
- 嵌合相手ハウジング型番:178764
- 内装するリセプタクルコンタクト型番:175265,175266,175268,175269
- 適用製品規格番号:108-5342
- △ リテーナは全て白色



淡灰 (LIGHT GRAY)	6-917992-6
黄 (YELLOW)	917992-7
灰 (DARK GRAY)	917992-6
青 (BLUE)	917992-5
黒 (BLACK)	917992-2
白 (WHITE)	917992-1
△ 色 (COLOR)	型番 (P/N)

OBSOLETE

THIS DRAWING IS A CONTROLLED DOCUMENT.		DWN T.SHINOHARA 5/22'95	TE Connectivity .040/.070 HYBRID I/O CONN. MK-II 26Pos. PLUG HOUSING					
DIMENSIONS: mm		CHK D.MATSUURA 5/19'95				NAME		
TOLERANCES UNLESS OTHERWISE SPECIFIED:		APVD A.TOMITA 5/22'95				PRODUCT SPEC		
0 PLC ± - 1 PLC ± - 2 PLC ± - 3 PLC ± - 4 PLC ± - ANGLES ± -		APPLICATION SPEC						
MATERIAL PBT		FINISH SEE TABLE	WEIGHT -	SIZE A3	CAGE CODE 00779	DRAWING NO C-917992	RESTRICTED TO -	
CUSTOMER DRAWING			SCALE 2:1	SHEET 1 OF 1	REV A1			

一般公差 (GENERAL TOLERANCE)	
10以下	±0.2
10~30	±0.25
30~100	±0.3
角度	±3°